

# 8000 Series Surface Boxes

8000 Series Surface Back Boxes and Front Support Frames)



8K SURFACE BACK BOX

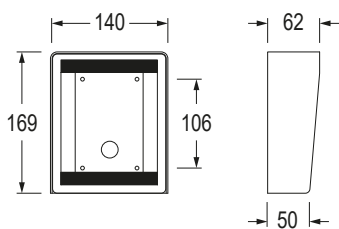
Art. 8881, Art. 8881/BL



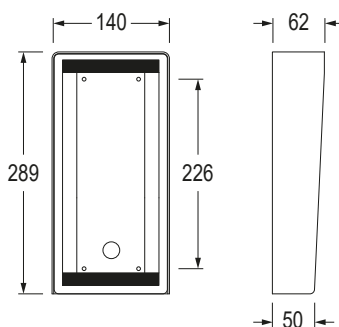
Art. 8882, Art. 8882/BL



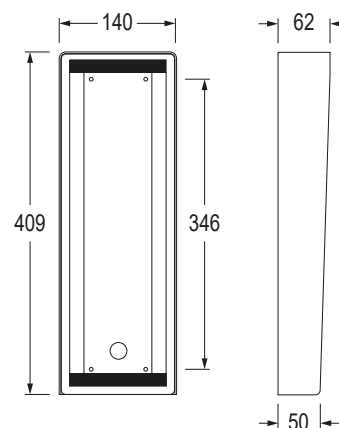
Art. 8883, Art. 8883/BL



1 MODULE



2 MODULE



3 MODULE

Art.	8881 or 8881/BL	8882 or 8882/BL	8883 or 8883/BL
<b>DESCRIPTION</b>	8000 Series surface back boxes and front support frames		
<b>HOUSED MODULE SIZE</b>	1 module	2 module	3 module
<b>FINISH &amp; MATERIALS</b>	Rainshield surround & front support frame: Aluminium or Black (suffix /BL)		
<b>SURFACE BACK BOX SIZE (MM)</b>	140 (W) x 169 (L) x 62 (D)	140 (W) x 289 (L) x 62 (D)	140 (W) x 409 (L) x 62 (D)
<b>SYSTEM COMPATIBILITY</b>	Compatible with the full range of both audio and video 8000 series modules (except the <b>CVK8K</b> and <b>CVKC8K</b> videokit modules: <b>8833-1/C</b> and <b>8833-2/C</b> ).		
<b>NOTES</b>	The rainshield surround and inner frame is supplied as a 'one-piece' unit and the front support frame is provided with a waterproof gasket, fixing brackets, hinge and screws and central allen key screw. Projection 62mm (max.).		

# 8000 Series Surface Boxes

8000 Series Surface Back Boxes and Front Support Frames)



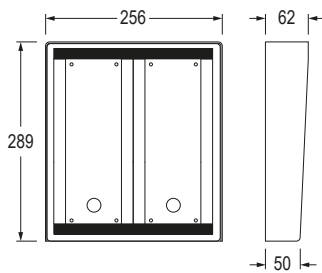
Art. 8884, Art. 8884/BL



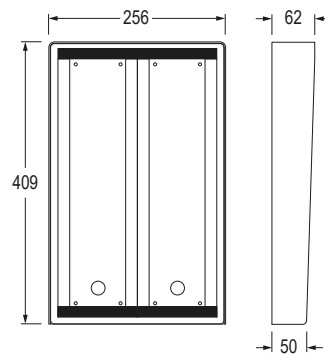
Art. 8886, Art. 8886/BL



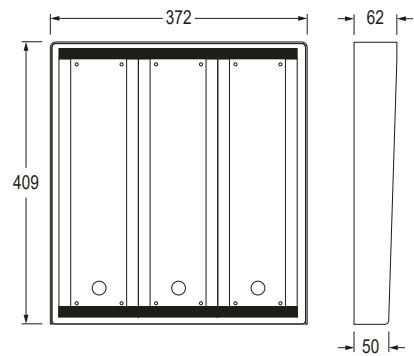
Art. 8889, Art. 8889/BL



4 MODULE



6 MODULE



9 MODULE

Art.	8884 or 8884/BL	8886 or 8886/BL	8889 or 8889/BL
DESCRIPTION	8000 Series surface back boxes and front support frames		
HOUSED MODULE SIZE	4 module	6 module	9 module
FINISH & MATERIALS	Rainshield surround & front support frame: Aluminium or Black (suffix /BL)		
SURFACE BACK BOX SIZE (MM)	256 (W) x 289 (L) x 62 (D)	256 (W) x 409 (L) x 62 (D)	372 (W) x 409 (L) x 62 (D)
SYSTEM COMPATIBILITY	Compatible with the full range of both audio and video 8000 series modules (except the <b>CVK8K</b> and <b>CVKC8K</b> videokit modules: <b>8833-1/C</b> and <b>8833-2/C</b> ).		
NOTES	The rainshield surround and inner frame is supplied as a 'one-piece' unit and the front support frame is provided with a waterproof gasket, fixing brackets, hinge and screws and central allen key screw. Projection 62mm (max.).		