

8000 Series Speaker & Camera Module

8000 Series Speaker & Colour Camera Module
for the VK8K Series Videokits



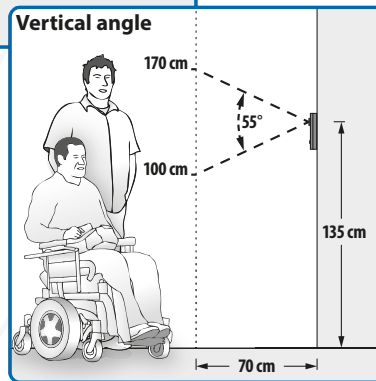
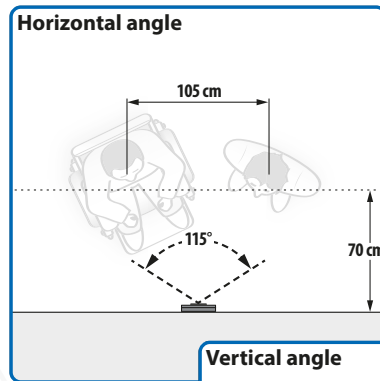
**8K SPEAKER
CAMERA**



**6 WIRE
BUS VIDEO**



Art. 8833-1/C



Art. 8833-2/C

Art.	8833-1/C	8833-2/C
DESCRIPTION	Modular 8000 series speaker & colour camera module for the VK8K series videokits	
FRONT FASCIA OPTIONS	Mirror Stainless Steel	
CAMERA: CAMERA LENS/ LED/FIELD OF VIEW/ CAMERA TILT	CMOS colour camera with auto iris lens / 6x white illumination LED's / field of view 115° horizontal angle and 55° vertical angle / 10° tilt angle (horizontal and vertical adjustment)	
CAMERA RESOLUTION	976x496 pixel, PAL 700TV line	
VIDEO SIGNAL	Balanced video signal (V1/V2 non-coax)	
MOUNTING HEIGHT	Between 130 - 160cm (approx.)	
CAMERA ILLUMINATION LED DISTANCE	Up to 50cm	
NO. OF BUTTONS	1 (1x name plate)	2 (2x name plates)
MODULE PROGRAMMING & ADJUSTMENTS	Dip-switch SW : SW1/SW2 = Unit ID (ID's 1 - 4), SW3 = conversation time (60 or 120 seconds) and SW4 = door open time (2 or 6 seconds, only when jumper J2 = L position). Jumper J1 : call reassurance tone volume high/low or disabled if removed. Jumper J2 : relay operating mode, J2 = H, capacitor discharge or J2 = L dry contact relay. Jumper J3 : call button configuration. Microphone and speaker volume control POTS	
NUMBER OF RELAYS, RELAY VOLTAGE/AMPS	1 dry contact relay: C/NC/NO , current rating: 24Vac/dc at 2A max. Current rating when set for capacitor discharge: 12Vac/dc at 1A max.	
PTE INPUT	Yes: 1x switched 0V input (push-to-make)	
RELAY TIMES	Selectable relay time: 2 or 6 seconds using SW4 (see above)	
TERMINAL CONNECTIONS	13 connections: +V/- (+20Vdc power input), +12Vout (+12Vdc, 300mA output to supply accessories), 1 & 2 (speech lines), V1/V2 (balanced video signal), BS (input/output busy signal used when more than 1 entry panel on system), SL (active low output to enable 506N relay to switch video signal V1/V2 when more than 1 entry panel on system), PTE push to exit input (see above), C/NC/NO relay contacts (see above)	
MODULE SIZE	1.5 module 8000 series: 97 (W) x 162 (L) x 43 (D) mm	
WORKING VOLTAGE	+20Vdc (supplied by videophone or local PSU: 893N)	
CURRENT CONSUMPTION	Standby: 70mA, during operation: 250mA	
WORKING TEMP.	-20° to +60°C	