

INSTALLER'S MANUAL



SPECIFICATIONS

User capacity:	Unlimited
Card type:	Mifare Classic 1K, 4K
Read range:	Up to 6 cm
Output:	1 x Relay 2 A; 3 A, 30 V AC/DC
Lock release time:	1-255 sec. or Toggle(ON/OFF) Mode
Operating Voltage:	12V DC
Current consumption:	Max. 150 mA
Operating Temperatures:	-20°C to +50°C
Protection standard:	IP65
Mounting:	Panel mount
Software support:	PROA MS, PROH MS
Events memory:	3500 events
Blacklist capacity	1100
Event collection:	By Event Collect Card
Push button Input:	One
Configuration:	By programming cards created using software and USB desktop reader
Credit on card:	Yes
Compatible with:	RU1, RU2, RTT and DINRTT

INTRODUCTION

XPROX-MF-SA is offline reader for access control. The Reader can be configured via configuration card. Issuing user cards is done by the software with desktop usb card reader. The access rights are written in the user card itself. The reader can be used with PROA MS or PROH MS Software. The collecting of the past events can be done by Event collect card.

CONFIGURATION WITH USB



Note: The Micro USB Cable is provided with the PROX-USB Desktop reader

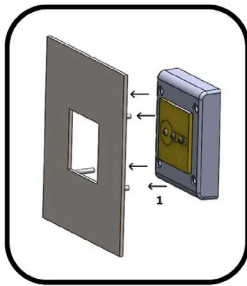
CONFIGURATION WITH CARD



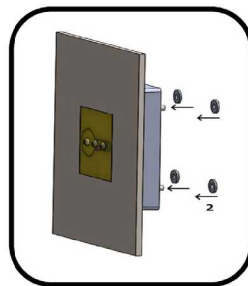
MOUNTING

Mounting Instructions

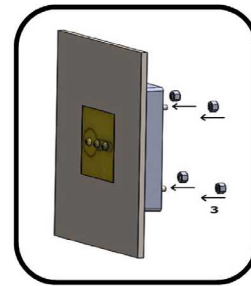
1.



2.



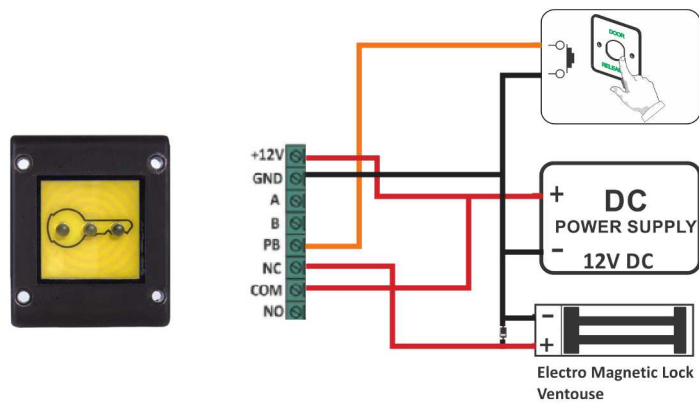
3.



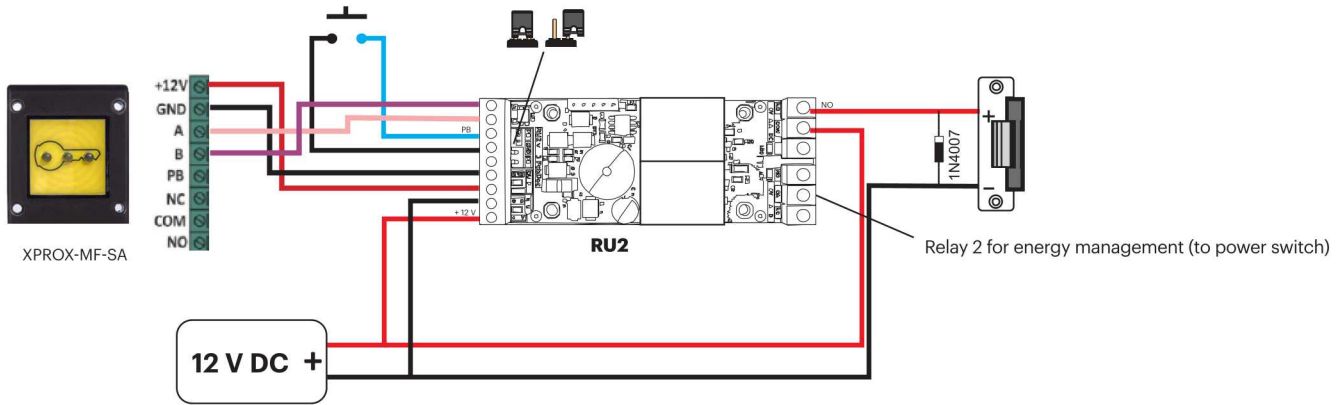
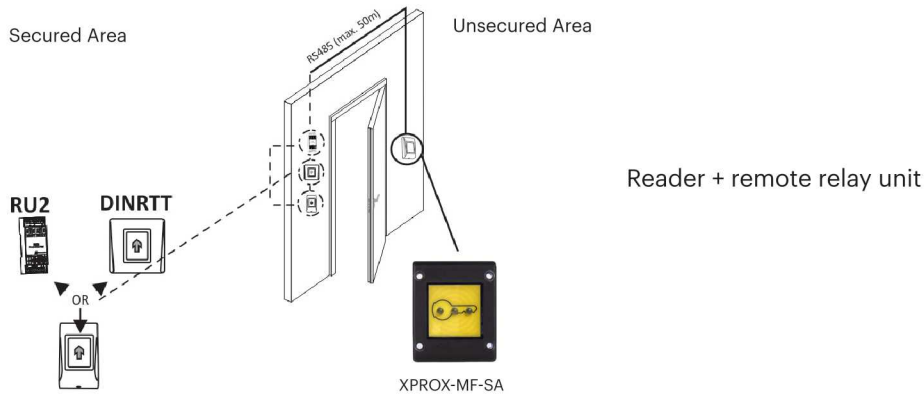
WIRING

+12 V	Power supply/ Alimentation électrique/Alimentazione/Fuente de alimentación/ Stromversorgung/ Netvoeding
GND	Ground/ Sol/Terra/Tierra/ Erde/ Aarding
A	A communication wire/Un fil de communication/ Filo di comunicazione/ Cable de comunicación/ Kommunikationskabel/ communicatiekabel
B	B communication wire/Un fil de communication/ Filo di comunicazione/ Cable de comunicación/ Kommunikationskabel/ communicatiekabel
PB	Push button/ Bouton-poussoir/ Pulsante/ Botón pulsador/ Austrittstaster/ Drukknop
NC	NC output/ Sortie NC/ Uscita NC/Salida NC/ NC Ausgang/ NC uitgang
COM	COM output/Sortie COM/Uscita COM/ COM Salida/ COM Ausgang/ COM uitgang
NO	NO output/Sortie NO/Uscita NO/ NO Salida/ NO Ausgang/ NO uitgang

WIRING (READER ONLY)

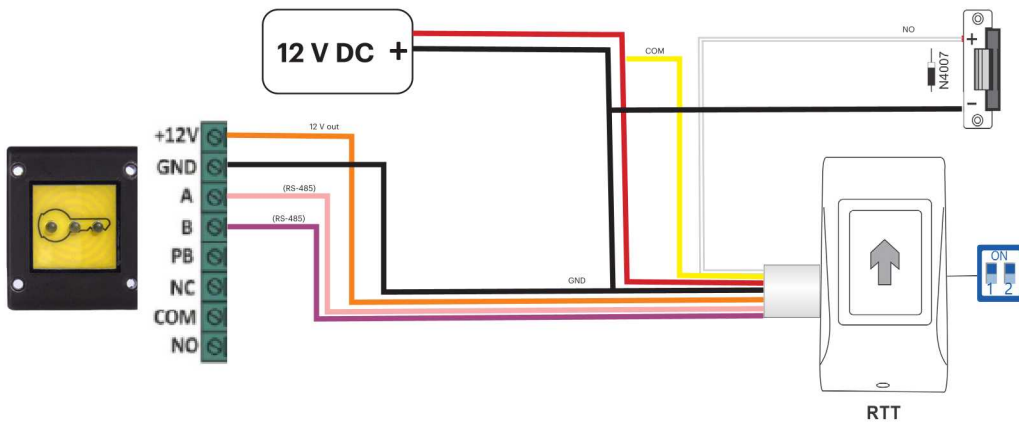


PAIRING READER WITH RU2



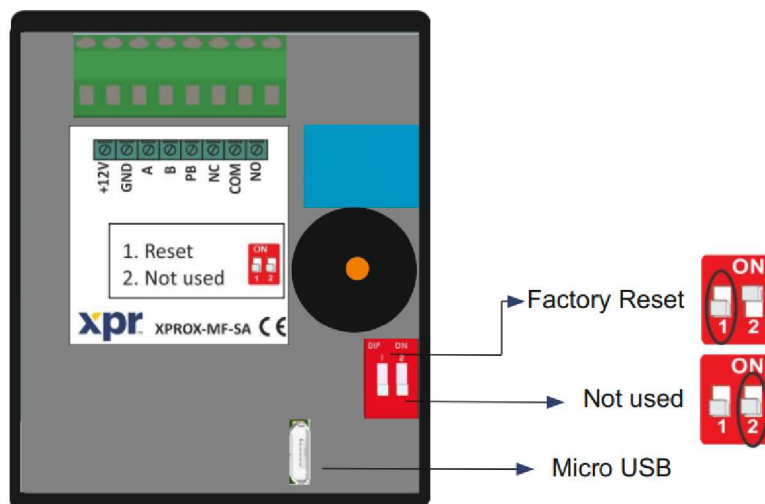
1. Put the Jumper to closed position. RU2 beeps continuously and the red led blinks.
2. Put the Jumper to open position.
3. Wait for Green LED + OK Beep (short + short + long beep)
4. After the OK beep, the coupling is done.

PAIRING READER WITH RTT



1. Put Dipswitch No.1 to position ON. RTT beeps continuously and the red led blinks.
2. Put Dipswitch No.1 to position OFF.
3. Wait for Green LED + OK Beep (short + short + long beep)
4. After the OK beep, the coupling is done.

TERMINAL BLOCKS AND DIPSWITCH



USING THE READER

XPROX-MF-SA by default DOES NOT read cards. In order the reader to be put in operation, the reader must be first initialized (by Init Card or via USB connection) and then User Cards must be issued.

To Initialize the reader and to issue an user card in PROA MS Software:

1. Go to “Doors”, set the parameters of the door and save it.
2. Place a card on the USB Desktop reader and issue an “Init Card”.
3. Present the Init Card on the reader, green light and two short beeps indicate that the reader is initialized successfully.
4. Go To “Users”, click on “Add”, set the parameters of the user and save it.
5. Place another card on the USB Desktop reader and issue the User Card. From then on, the user card can be used and the reader will respond to presenting the card with either access granted or access denied and green/red signalization.



To Initialize the reader and to issue a guest card in PROH MS Software:

1. Go to “Manage/Guest Rooms”, set the parameters of the door and save it.
2. Place a card on the USB Desktop reader and issue an “Init Card”.
3. Present the Init Card on the reader, green light and two short beeps indicate that the reader is initialized successfully.
4. Select the room from the main screen and click on “Check IN” or double click a room. Put the name of the guest, passport number, arrival/departure date and click the “Check In” button.
5. Place another card on the USB Desktop reader and issue the Guest Card. From then on, the guest card can be used and the reader will respond to presenting the card with either access granted or access denied and green/red signalization.



This product herewith complies with requirements of EMC directive 2014/30/EU, Radio Equipment Directive 2014/53/EU. In addition it complies with RoHS2 directive EN50581:2012 and RoHS3 Directive 2015/863/EU.

