

XPROX-MF-SA

Offline Mifare Panel Mount MiAccess Proximity Reader



Panel Mount Mifare RFID Reader

Panel Mount XPROX-MF-SA Mifare 13.5MHz reader. For use on Vandal Resistant entry panels with a standard 40×40mm square cutout and 49×49mm fixing spacing.

Offline MiAccess Proximity Access

The reader can be configured via the micro-USB port or via card configuration. Issuing user cards is carried out using the PROA-MS software with the help of the desktop PROX-USB card reader. Collection of past events can also be carried out via the micro-USB port or by using a specifically configured 'event collect card'.

IP65 Ingress Protection Rating

IP65 protection rating with resin potted electronics.

3 Status Indication LEDs

Access granted, access denied and standby status indication LEDs: green, red and amber.

Status Indication Tone

Access granted and access denied indication tone via internal buzzer.

Micro-USB Input

Built-in micro-USB connection for optional reader configuration, events download and firmware updates.

12Vdc Power, RS485 Connectivity, Exit button input & Relay output

8 terminals for 12Vdc power, optional RS485 bus for remote relay/exit button, PTE and relay contacts: 12V, GND, A, B, PB, NC, COM & NO.

Mifare Proximity Fob & Card Support

Supported fobs & cards include: Mifare Classic 1K fobs [PBXB-1E-MS50 (blue), PBXBK-1E-MS50 (black), PBXG-1E-MS50 (green), PBXR-1E-MS50 (red)], Mifare Classic 1K ISO cards PBX-2-MS50 and Mifare Classic 4K ISO cards PBX-2-MS70.



IP65



PC SOFTWARE



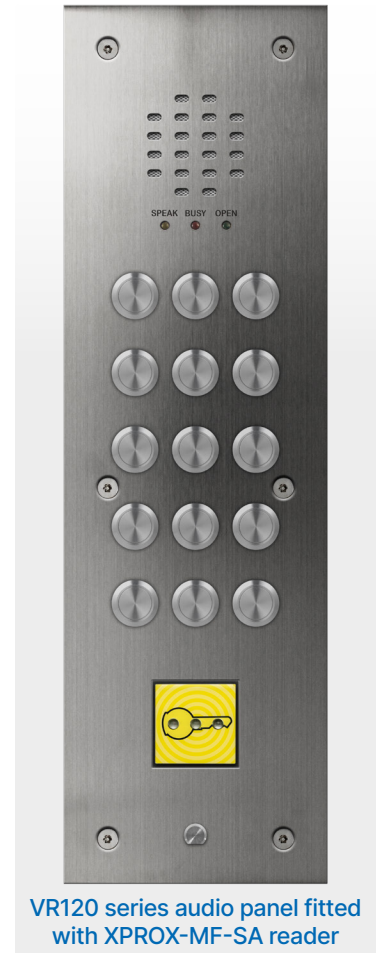
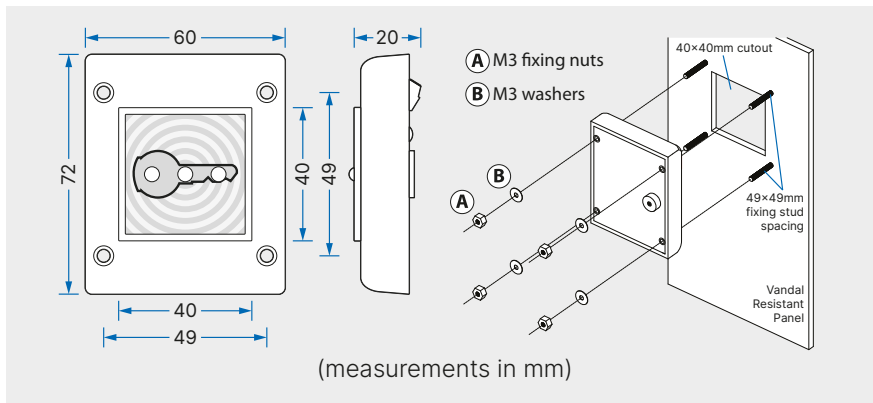
USB



THE POWER TO SECURE

Key Features

- Mifare reader with sector read/write and support for Mifare Classic fobs & cards.
- Read range of up to 6cm with an operating frequency of 13.56MHz.
- Unlimited user capacity with up to 3500 events logged.
- Programmable relay time (1 - 255 seconds or 0 for toggle mode).
- Programming and configuration via PROA-MS software.
- Collecting events via the micro-USB port or using a programmed 'events collect card'.
- Feature to 'black list' fobs or cards that have been lost or stolen (up to 1100 fobs or cards max.).
- Personalise the access rights for individual users directly onto their fob or card.
- Scheduled activation feature with 4 definable actions of lock and unlock based on the time and day of the week.
- Firmware upgrades supported via the USB connection.



Technical characteristics

	XPROX-MF-SA
Description	VR panel mount Mifare proximity reader for the MiAccess Proximity System.
Read range & op. Freq.	Up to 6cm read range with operating frequency of 13.56MHz.
Supported fobs & cards	Mifare Classic 1K fobs, Mifare Classic 1K ISO cards and Mifare Classic 4K ISO cards.
Status indication LEDs	Yes, 3xLEDs - amber (standby), green (access granted) and red (access denied).
Sound indicator	Internal buzzer for when access is granted or denied.
Reader configuration	Reader configuration via PC software: PROA-MS .
Users, events memory & black list capacity	Unlimited users, up to 3500 logged events and up to 1100 black list fobs/cards.
Micro-USB input	Yes, for reader configuration and firmware updates.
Reader size	60 (W) x 72 (L) x 20 (D) mm.
Reader mounting	Panel mount reader to fit 40x40mm cutout with 49x49mm fixing stud spacing.
Reader protection	IP65 ingress protection rating.
Terminal connections	8 connections: 12V , GND (power input), A , B (RS485 bus to connect to RU2 remote relay), PB (push to exit) and NC/COM/NO (relay contacts - 2A @ 24Vac/dc).
Working voltage/current	12Vdc voltage input and 150mA current consumption (max.).
Working temperature	-20°/+50°C.
Operating humidity	0% - 95% relative humidity, non-condensing

VIDEX SECURITY LTD.

Main UK Office

1 Osprey, Trinity Park, Trinity Way,
London, E4 8TD
tel: 0370 300 1240
www.videxuk.com

Northern UK Office

Unit 4-7 Chillingham Ind. Estate, Chapman Street,
Newcastle Upon Tyne, NE6 2XX
tel: 0370 300 1240
sales@videxuk.com

