

XPROX-MO

Mifare Panel Mount Multi-Purpose Proximity Reader for the WS4 Web Access System and 3rd Party OSDP Proximity Access



Multi-purpose RFID Reader for the WS4 Web Access System

Panel Mount XPROX-MO multi-purpose RFID 13.5MHz reader. For use on Vandal Resistant entry panels with a standard 40×40mm square cutout and 49×49mm fixing spacing. The reader can be used with or without encryption with configuration carried out via the micro-USB port.

3rd Party Proximity Access Compatibility

Compatible with 3rd party proximity access control systems supporting the OSDP protocol via RS485.

IP65 Ingress Protection Rating

IP65 protection rating with resin potted electronics.

3 Status Indication LEDs

Access granted, access denied and standby status indication LEDs: green, red and amber.

Status Indication Tone

Access granted and access denied indication tone via internal buzzer.

Micro-USB Input

Built-in micro-USB connection for reader configuration and firmware updates.

12Vdc Power Input & RS485 Connectivity

4 terminal connections for 12Vdc power input and RS485: 12V, GND, A and B.

Multiple Proximity Card Support

Supported proximity cards include: HID iClass CSN, NTAG and Mifare (Classic, Desfire, Plus and Ultralight) ISO14443-A & ISO15693 card formats.



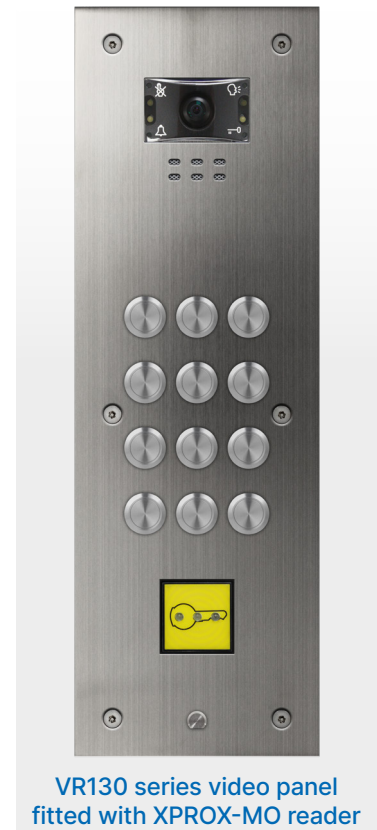
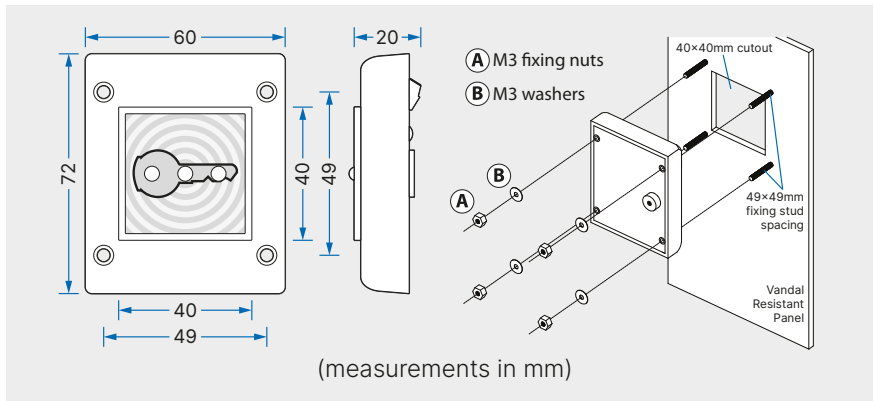
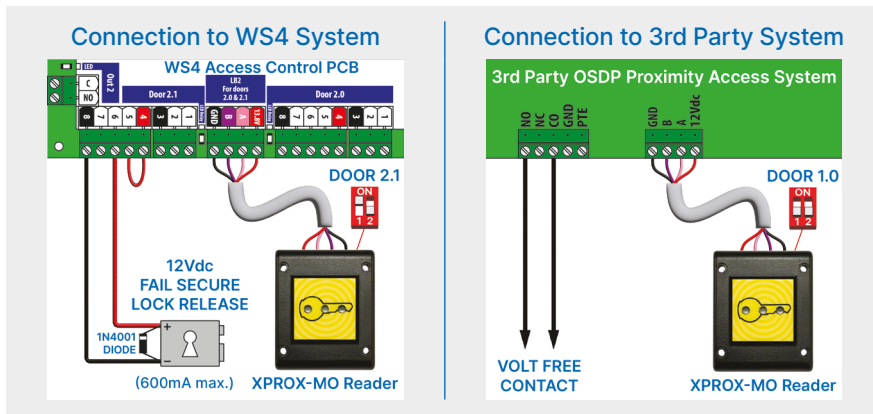
IP65



RS485



THE POWER TO SECURE



Technical characteristics

	XPROX-MO
Description	VR panel mount multi-purpose RFID proximity reader for the WS4 Web Access System and 3rd party access control systems using OSDP.
Operating Frequency	13.5MHz
Supported proximity card formats	HID iClass CSN, NTAG, Mifare (including: Classic, Desfire, Plus and Ultralight) ISO14443-A and ISO15693 card formats.
Status indication LEDs	Yes, 3xLEDs - amber (standby), green (access granted) and red (access denied).
Sound indicator	Internal buzzer for when access is granted or denied.
Read range	Up to 4cm (depending on card type, form factor and encryption).
WS4 reader setup and configuration	2 way dip-switch - SW1 for reader address: OFF = reader ID.0, ON = reader ID.1 and SW2 for RS485 bus termination: OFF = 120 Ohm bus termination disabled, ON = 120 Ohm bus termination enabled.
Micro-USB input	Yes, for reader configuration and firmware updates.
Reader size	60 (W) x 72 (L) x 20 (D) mm.
Reader mounting	Panel mount reader to fit 40×40mm cutout with 49×49mm fixing stud spacing.
Reader protection	IP65 ingress protection rating.
Terminal connections	4 connections: 12V , GND (power input), A , B (RS485 bus).
Cable requirements	Recommended cable: multicore cable 2 twisted pairs up to 80m max.
Working voltage	12Vdc (supplied by WS4 controller or 3rd party access control system).
Current consumption	30mA at 12Vdc (max.).
Working temperature	-15°/+50°C.
Operating humidity	0% - 95% relative humidity, non-condensing

VIDEX SECURITY LTD.

Main UK Office

1 Osprey, Trinity Park, Trinity Way,
London, E4 8TD
tel: 0370 300 1240
www.videxuk.com

Northern UK Office

Unit 4-7 Chillingham Ind. Estate, Chapman Street,
Newcastle Upon Tyne, NE6 2XX
tel: 0370 300 1240
sales@videxuk.com

