

2322



THE POWER TO SECURE

VX2300 Power supply converter from BUS line voltage to 12Vdc

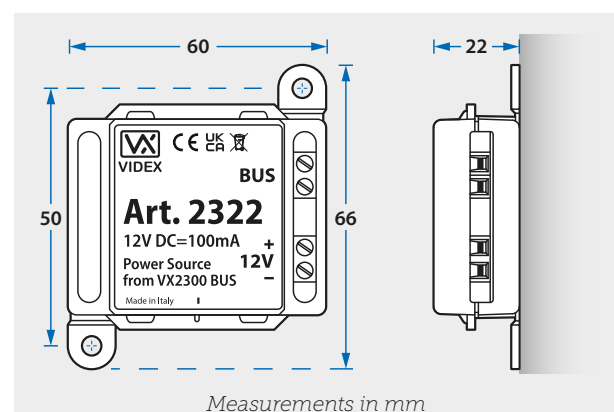


The Art.2322 is a power supply converter which has been designed for the VX2300 "true" two wire BUS system. The module is used to convert 32-35Vdc BUS line voltage and output

12Vdc at low current (100mA) that can be used on peripheral devices such as the Art.4901 keypad without the need for any additional power supplies.

Technical characteristics

Description	VX2300 system "true" two wire power supply BUS converter
Input voltage	32Vdc BUS input (BUS / BUS)
Output voltage	12Vdc output voltage
Current	100mA
Module enclosure	Small accessories surface box
Enclosure material	White high impact ABS plastics
Mounting	Surface: fix directly to the wall
Dimensions (mm)	60 (W) x 66 (L) x 22 (D)
Working temperature	-20°/+60°C



Measurements in mm

VIDEX SECURITY LTD.

Main UK Office

1 Osprey, Trinity Park, Trinity Way,
London, E4 8TD
tel: 0370 300 1240

www.videxuk.com

Northern UK Office

Unit 4-7 Chillingham Ind. Estate, Chapman Street,
Newcastle Upon Tyne, NE6 2XX
tel: 0370 300 1240

sales@videxuk.com

