

2321P



THE POWER TO SECURE

VX2300 Power supply for 2 wire BUS system

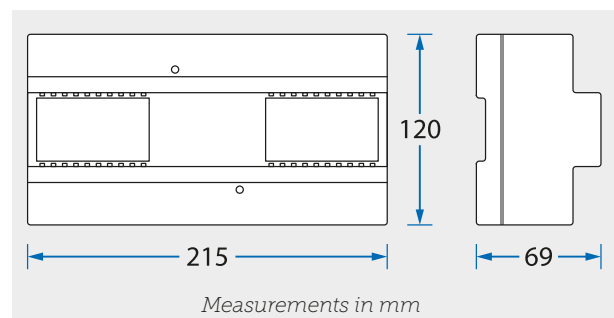


The Art.2321P power supply has been designed for the VX2300 "true" two wire BUS system and directly supplies the two wire BUS voltage (35Vdc).

It can be used on systems with more than 1 entrance systems and up to 40 users. For more than 40 users it is necessary to include an additional Art.2321P onto the 2 wire BUS.

Technical characteristics

Description	VX2300 system "true" two wire BUS power supply
Mains input	230Vac (50/60Hz) mains input
Output voltage	35Vdc (2x BUS+ / BUS-) BUS voltage
Current	1.5A
Protection	2x replaceable 20mm glass cartridge fuses: 1.5A for the dc (BUS) output. Also 350mA for ac mains input.
Voltage adjustment	3 position internal jumper to adjust the BUS output voltage: V1 = low, V2 = medium and V3 = maximum. Set to maximum (pos. V3) when the PSU is used together with 2301N 4 entrance switching module.
Power rating	52W (approx.)
Module enclosure	12 modules A type DIN box
Enclosure material	Grey high impact ABS plastics
Mounting	Surface: DIN rail or fix directly to the wall
Dimensions (mm)	120 (W) x 215 (L) x 69 (D)
Working temperature	-20°/+60°C



Measurements in mm

VIDEX SECURITY LTD.

Main UK Office

1 Osprey, Trinity Park, Trinity Way,
London, E4 8TD
tel: 0370 300 1240

www.videxuk.com

Northern UK Office

Unit 4-7 Chillingham Ind. Estate, Chapman Street,
Newcastle Upon Tyne, NE6 2XX
tel: 0370 300 1240

sales@videxuk.com

