

# 2321



THE POWER TO SECURE

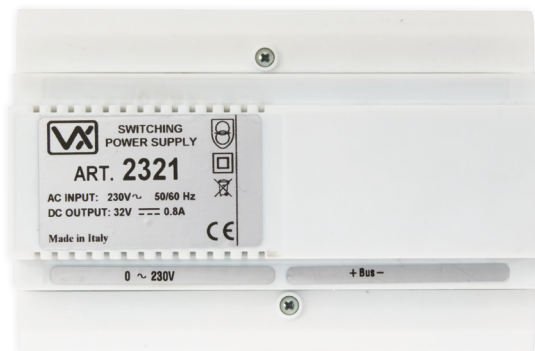
## VX2300 Power supply for 2 wire BUS system



The Art.2321 power supply has been designed for the VX2300 "true" two wire BUS system and directly supplies the two wire BUS voltage (32Vdc).

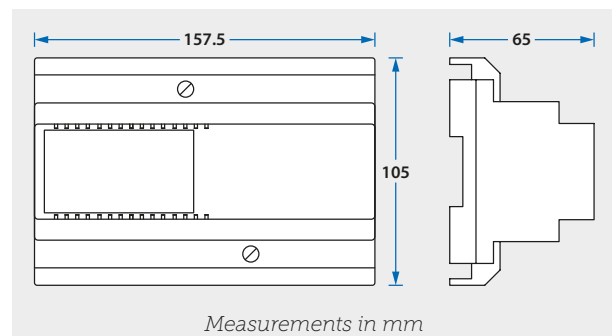
It can be used for 1 entrance systems with up to 20 users and also for use with **ESVKC** and **ESVKX** two wire BUS videokits.

The power supply can also be used as a local power supply for all VX2300 system videophones.



### Technical characteristics

<b>Description</b>	VX2300 system "true" two wire BUS power supply
<b>Mains input</b>	230Vac (50/60Hz) mains input
<b>Output voltage</b>	32Vdc (BUS+ / BUS-) BUS voltage
<b>Current</b>	0.8A
<b>Protection</b>	Internal PTC protection against short circuit
<b>Power rating</b>	25W (approx.)
<b>Module enclosure</b>	9 modules A type DIN box
<b>Enclosure material</b>	White high impact ABS plastics
<b>Mounting</b>	Surface: DIN rail or fix directly to the wall
<b>Dimensions (mm)</b>	105 (W) x 157.5 (L) x 65 (D)
<b>Working temperature</b>	-20°/+60°C



DS-2321-ENUK-V2-0 - 25/11/22

### VIDEX SECURITY LTD.

#### Main UK Office

1 Osprey, Trinity Park, Trinity Way,  
London, E4 8TD  
tel: 0370 300 1240

[www.videxuk.com](http://www.videxuk.com)

#### Northern UK Office

Unit 4-7 Chillingham Ind. Estate, Chapman Street,  
Newcastle Upon Tyne, NE6 2XX  
tel: 0370 300 1240

[sales@videxuk.com](mailto:sales@videxuk.com)

