

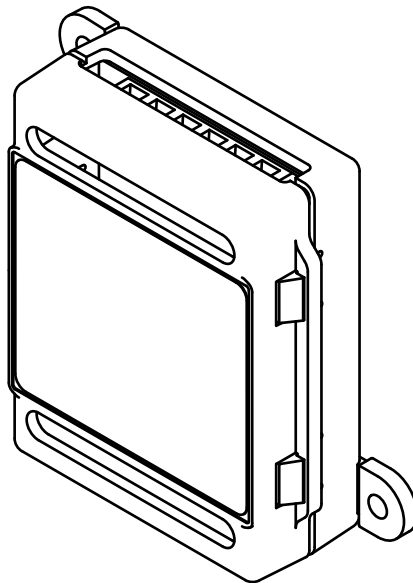
2213 REMOTE RELAY

Remote Relay for the VX2200 System

Secured by Design



Official Police Security Initiative



Technical Manual

Contents

| | |
|--|----------|
| Manual Introduction | 3 |
| Description and Operation | 3 |
| Relay Terminal Connections | 3 |
| Dip-switch Settings | 4 |
| Installation Notes | 6 |
| Lock Release Wiring and back EMF Protection | 6 |
| Technical Specification..... | 6 |
| Wiring Diagram..... | 7 |
| Notes..... | 8 |

 **IT IS RECOMMENDED THAT THIS VIDEX PRODUCT IS INSTALLED BY A COMPETENT AND QUALIFIED ELECTRICIAN, SECURITY INSTALLATION SPECIALIST OR COMMUNICATIONS ENGINEER.**

DECLARATION OF RESPONSIBILITY

This technical manual has been written and revised carefully. The guidance and the descriptions which are included in it are in reference to VIDEX parts and are correct at the time of print. However, subsequent VIDEX parts and technical manuals, can be subject to changes without prior notice. **VIDEX Electronics S.P.A.** and **VIDEX Security Ltd. (UK)** cannot be held responsible for damages caused directly or indirectly by errors, omissions or discrepancies between the VIDEX parts and the technical manual.

MANUFACTURER



VIDEX ELECTRONICS S.P.A.

Via del Lavoro, 1 - 63846 Monte Gilberto (FM) Italy
 Tel: (+39) 0734-631699 - Fax: (+39) 0734-632475
www.videx.it - info@videx.it



CUSTOMER SUPPORT

All Countries:
VIDEX ELECTRONICS S.P.A.
www.videx.it - technical@videx.it
 Tel: +39 0734-631699 - Fax: +39 0734-632475

UK Customers:
VIDEX SECURITY LTD.
www.videxuk.com - tech@videxuk.com
 Tech Line: 0191 224 3174

CE The product is CE marked demonstrating its conformity and is for distribution within all member states of the EU with no restrictions. This product follows the provisions of the European Directives 2014/30/EU (EMC); 2014/35/EU (LVD); 2011/65/EU (RoHS): CE marking 93/68/EEC.

UK CA The product is UKCA marked demonstrating its conformity and is for distribution within the UK. This product follows the provisions of the following UK legislation: Electromagnetic Compatibility Regulations 2016; Electrical Equipment (Safety) Regulations 2016; Radio Equipment Regulations 2017 and The Restriction of the Use of Certain Hazardous Substances in Electrical and Electronic Equipment Regulations 2012 (RoHS).

MANUAL INTRODUCTION

The information in this manual is intended as an installation and commissioning guide for the 2213LIFT remote relay. **This manual should be read carefully before the installation commences.**

Any damage caused to the equipment due to faulty installation where the information in this manual has not been followed is not the responsibility of **VIDEX Electronics S.P.A.** and **VIDEX Security Ltd (UK)**.

It is recommended that the remote relay is installed by a competent electrician, security or communications engineer.

For UK customers Videx run free training courses for engineers who are unfamiliar or who have not installed this product before. Technical help is also available for **UK and Rep. of Ireland** customers from the Videx technical helpline on tel: **0191 224 3174** during office hours (**8:30am - 5:00pm MON to FRI**) or via e-mail: **tech@videxuk.com**.

For all other overseas customers including **Europe** technical help is available on tel: **+39 0734 631 669** or via e-mail: **technical@videx.it**.

A copy of this technical manual can also be downloaded from the Videx websites: **www.videxuk.com, www.videx.it**.

DESCRIPTION AND OPERATION

The 2213 remote relay module is designed to work on the VX2200 system. All entrance panels on the VX2200 system include the lock release relay and push to exit button input inside the entrance panel. For higher security applications including installations in compliance with **Secured by Design** the 2213 enables the relay and push to exit button input to be installed in a secure location away from the entrance. Setting up of the module is achieved using the 8 way dip-switches.

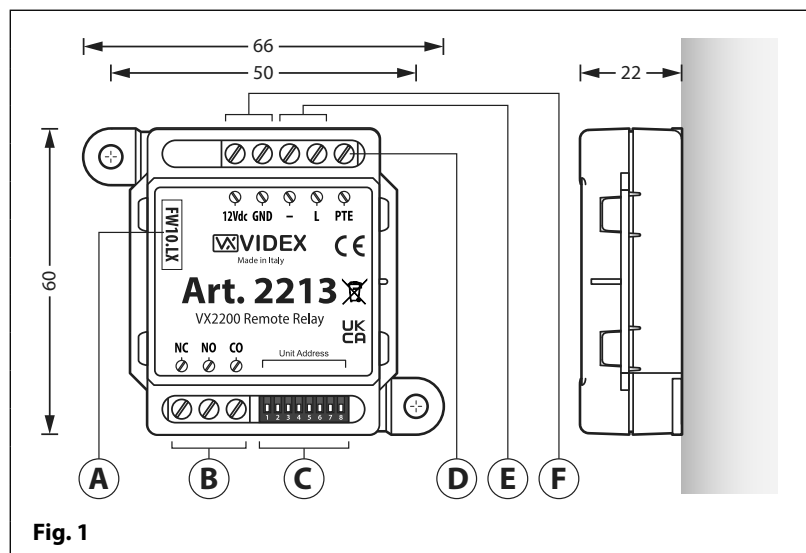
The 2213 device number should be set to match the device number (panel ID) of the entrance panel it is associated with using dip switches 1-4. When the relay command is received from an audiophone or videophone, from an digital entry panel (via the coded access facility) or a concierge the relay will activate for the programmed relay time (setup using dip-switches 5-7).

Activating the PTE input on the 2213 will also trigger the relay for the programmed relay time. Lock release cables and push to exit cables should not run through the entrance panel back box or any unsecure locations to maintain the highest security possible. The relay in the entrance panel along with the PTE input in the entrance panel will not be used and should remain disconnected (in the event of someone activating the PTE input on the entrance panel it will have not effect on the 2213 remote relay).

The 2213 can also be setup in local mode (default) or main mode (using dip-switch 8) for larger systems that have main entrances and local/sub entrances where 2206N bus exchange devices are used. The module includes connections for 12Vdc power, digital BUS connections (L, -) and a set of relay contacts (CO, NO, NC).

RELAY TERMINAL CONNECTIONS

Refer to the table below for the 2213 terminal connections and the unit layout and dimensions in **Fig.1**.



LEGEND

- (A) Firmware version - **FW10.LX**
- (B) Relay (NC/NO/CO) terminals
- (C) 8 way programmable dip-switches
- (D) PTE input (switched 0V)
- (E) Databus input (L/-)
- (F) +12Vdc power input

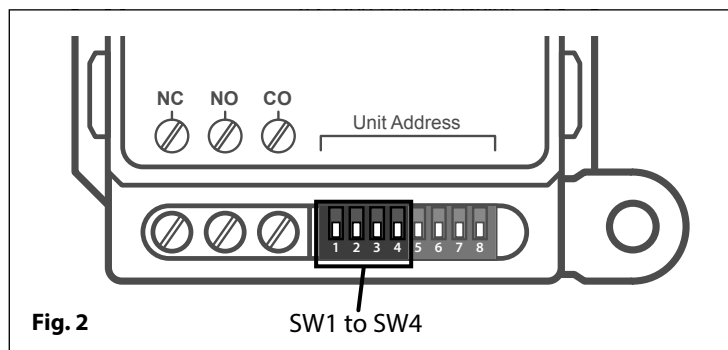
| Terminal | Description | Terminal | Description |
|----------|----------------------------------|----------|---|
| 12Vdc | 12-14Vdc input from power supply | PTE | Push to exit input (switched 0V push to make) |
| GND | 0V input from power supply | CO | Common relay connection |
| - | Databus 0V connection | NO | Normally open relay connection |
| L | Databus connection (+pos) | NC | Normally closed relay connection |

2213 Remote Relay for the VX2200 System

DIP-SWITCH SETTINGS

Dip-switches SW1 to SW4 (see **Fig.2**) sets up the device number (panel ID) of the 2213 remote relay.

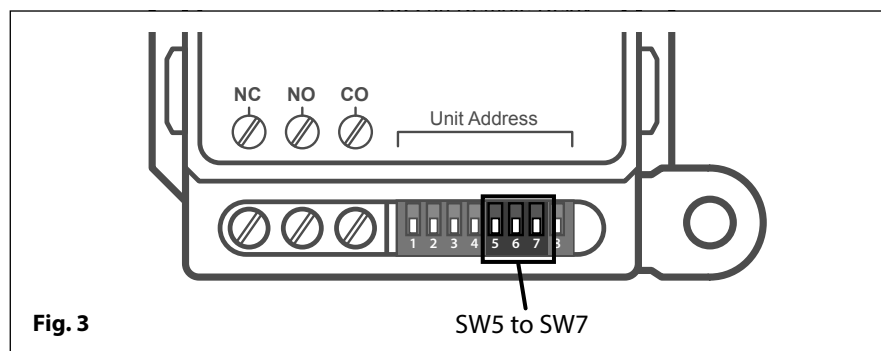
| Setting Device Number | | | | | |
|-----------------------|-----|-----|-----|-----|-----------------|
| Device No. (Panel ID) | SW1 | SW2 | SW3 | SW4 | Switch Position |
| 1 | OFF | OFF | OFF | OFF | |
| 2 | ON | OFF | OFF | OFF | |
| 3 | OFF | ON | OFF | OFF | |
| 4 | ON | ON | OFF | OFF | |
| 5 | OFF | OFF | ON | OFF | |
| 6 | ON | OFF | ON | OFF | |
| 7 | OFF | ON | ON | OFF | |
| 8 | ON | ON | ON | OFF | |
| 9 | OFF | OFF | OFF | ON | |
| 10 | ON | OFF | OFF | ON | |
| 11 | OFF | ON | OFF | ON | |
| 12 | ON | ON | OFF | ON | |
| 13 | OFF | OFF | ON | ON | |
| 14 | ON | OFF | ON | ON | |
| 15 | OFF | ON | ON | ON | |
| 16 | ON | ON | ON | ON | |



2213 Remote Relay for the VX2200 System

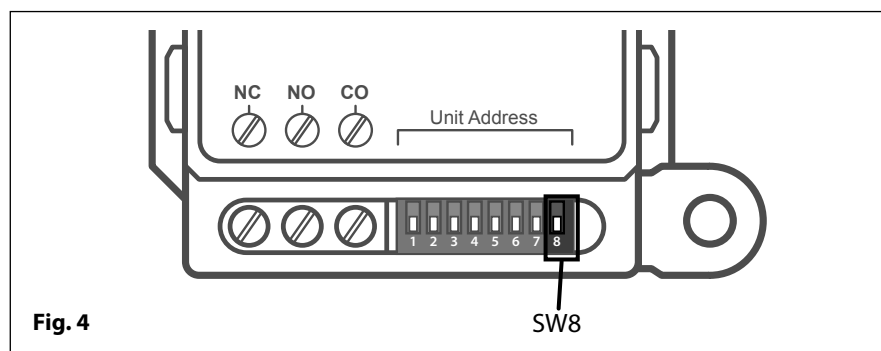
Dip-switches SW5 to SW7 (see **Fig.3**) sets up the relay time of the 2213.

| Setting the Relay Time | | | | |
|------------------------|-----|-----|-----|-----------------|
| Relay Time | SW5 | SW6 | SW7 | Switch Position |
| 1 second | OFF | OFF | OFF | |
| 2 seconds | ON | OFF | OFF | |
| 4 seconds | OFF | ON | OFF | |
| 6 seconds | ON | ON | OFF | |
| 8 seconds | OFF | OFF | ON | |
| 10 seconds | ON | OFF | ON | |
| 12 seconds | OFF | ON | ON | |
| 15 seconds | ON | ON | ON | |



Dip-switch SW8 (see **Fig.4**) sets up the operating mode of the 2213 remote relay, as shown in the table below.

| Setting Mode | | |
|----------------------|-----|-----------------|
| Operating Mode | SW8 | Switch Position |
| Local mode (default) | OFF | |
| Main mode | ON | |



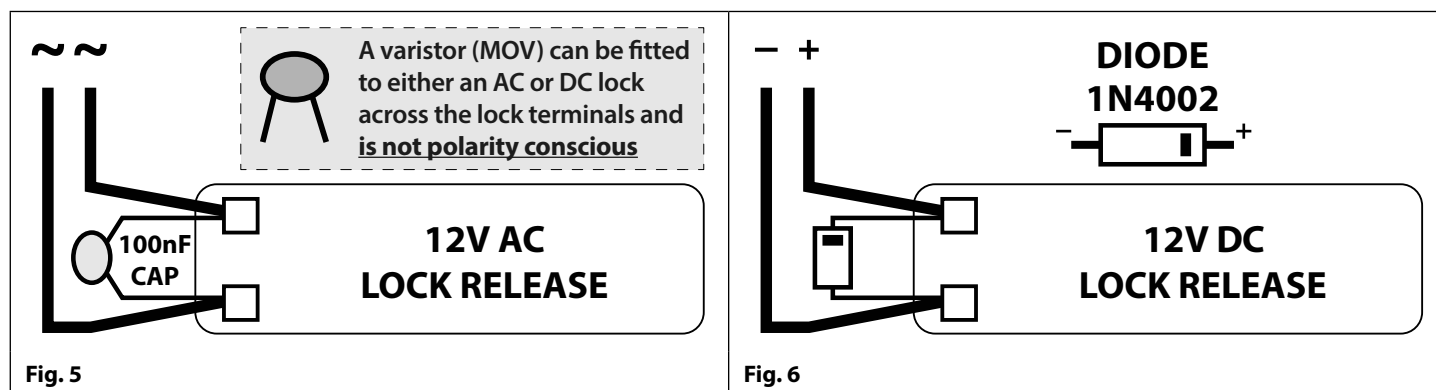
INSTALLATION NOTES

When installing the 2213LIFT remote relay follow the list of installation checks below:

- Check that all components are free from damage before installing, **do not proceed with the installation in the event of damage.**
- Keep all packaging away from children (**please dispose of any excess waste and packaging responsibly**).
- **Do not obstruct** the ventilation openings or slots on any of the devices.
- All connections to mains voltages must be made to the current recognised national standards: **I.E.T. Wiring Regulations, Eighteenth Edition BS7671:2018** for the UK or the appropriate standards of your country if installing overseas.
- Install an appropriate fused spur or isolation switch to isolate the mains supply.
- Isolate the mains supply before carrying out any maintenance work on the system.
- Avoid water ingress into the module.
- If an electric lock is to be fitted to the system it is important to power the lock release from a dedicated fused supply to avoid a short in the device cabling. Remember to power down the lock release when fitting it.
- All intercom and access control cables must be routed separately from the mains.

LOCK RELEASE WIRING AND BACK EMF PROTECTION

When fitting an electric lock release back EMF protection will be required. If fitting an AC lock release then a 100nF ceramic disc capacitor should be fitted across the terminals of the lock, shown in **Fig.5**. If fitting a DC lock release (fail secure or fail safe) then a 1N4002 diode should be fitted across the terminals on the lock, shown in **Fig.6**.



If a 100nF ceramic disc capacitor or a 1N4002 diode are not available then a 14 - 20V MOV (metal oxide varistor) can be fitted across the lock terminals instead (refer to **Fig.5** above) and can be fitted on both an AC and DC lock. A lock release connection example can also be seen in **Fig.7** wiring diagram on page 7.

TECHNICAL SPECIFICATION

| | |
|------------------------------------|--|
| Input voltage: | 12V - 14Vdc power input (+/-10%) |
| Current (standby): | 6.4mA (max.) |
| Current (during operation): | 41mA (max.) |
| PTE input open voltage: | 5Vdc |
| PTE input closed voltage: | 0V |
| Databus voltage: | 7.5V - 8Vdc (L/-) |
| Maximum cable resistance: | 7Ω |
| Relay contacts: | CO, NO and NC (10A @ 24Vdc, 12A @ 120Vac, 5A @ 250Vac) |
| Programming: | Programming via 8 way dip-switches: device ID setup ID.1 - ID.16 , relay activation time setup (1, 2, 4, 6, 8, 10, 12 or 15 seconds), operating mode local mode (default) or main mode (to operate with 2206N bus exchange devices). |
| Enclosure material: | ABS plastic (white) |
| Enclosure dimensions (mm): | 66 (W) x 60 (H) x 22 (D) |
| Mounting: | Surface, direct wall fixing |

WIRING DIAGRAM

Fig.7 below shows the wiring connections for the 2213 remote relay.

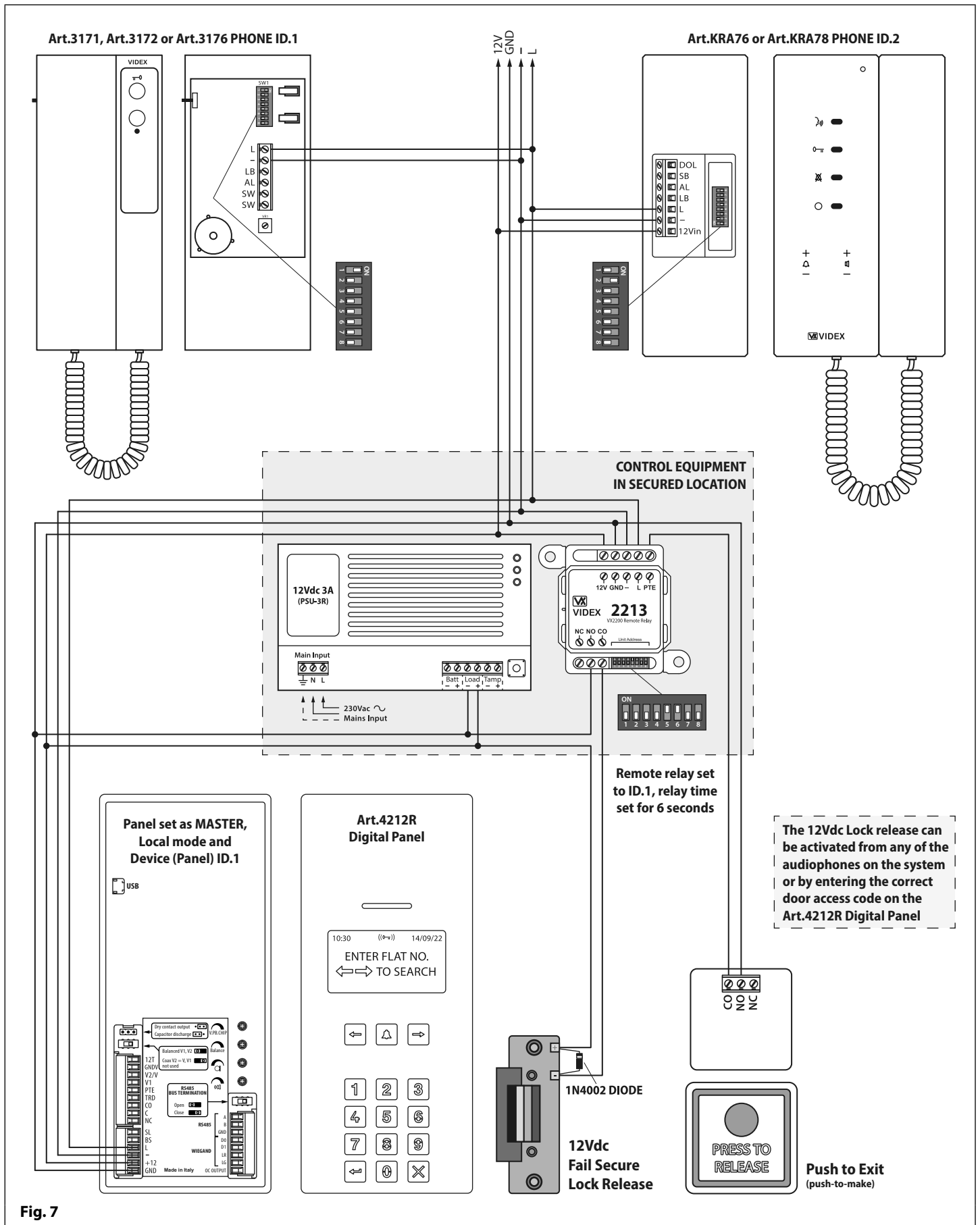


Fig. 7

ENG DISPOSAL

In accordance with the Legislative Decree no. 49 of 14 March 2014 "Implementation of the Directive 2012/19/EU on waste electrical and electronic equipment (WEEE)".

The crossed-out bin symbol on the equipment or on the packaging indicates that when the product reaches the end of its lifetime, it must be collected separately from mixed municipal waste. The user must, therefore, dispose of the equipment at the end of its lifetime in the suitable waste collection centres or bring it to the retailer during the purchase of a new equipment of equivalent type at the ratio of one-to-one. Furthermore, the user is allowed to dispose of the WEEEs of very small size (domestic appliances without any external dimension exceeding 25 cm (9.84 inches) for free to the retailers, without any purchase obligation. The correct waste disposal of the WEEEs contributes to their reuse, recycling and recovery and avoids potential negative effects on the environment and human health due to the possible presence of dangerous substances within them.



ITA SMALTIMENTO

Ai sensi del Decreto Legislativo 14 marzo 2014, n° 49 "Attuazione della direttiva 2012/19/UE sui rifiuti di apparecchiature elettriche ed elettroniche (RAEE)".

Il simbolo del cassonetto barrato riportato sull'apparecchiatura o sulla sua confezione indica che il prodotto alla fine della propria vita utile deve essere raccolto separatamente dagli altri rifiuti urbani misti. L'utente dovrà, pertanto, conferire l'apparecchiatura giunta a fine vita presso gli idonei centri di raccolta differenziata oppure riconsegnarla al rivenditore al momento dell'acquisto di una nuova apparecchiatura di tipo equivalente, in ragione di uno a uno. L'utente ha, inoltre, la possibilità di conferire gratuitamente presso i distributori, senza alcun obbligo di acquisto, per i RAEE di piccolissime dimensioni (per le apparecchiature di tipo domestico con nessuna dimensione esterna superiore a 25 cm).

L'adeguata raccolta differenziata dei RAEE contribuisce al loro riutilizzo, riciclaggio e recupero ed evita potenziali effetti negativi sull'ambiente e sulla salute umana dovuti alla eventuale presenza di sostanze pericolose al loro interno.

FRA ÉLIMINATION

Conformément au décret législatif n° 49 du 14 mars 2014 relatif à l'« Application de la directive 2012/19 / UE relative aux déchets d'équipements électriques et électroniques (DEEE) ».

Le symbole de la poubelle barrée sur l'équipement ou sur son emballage indique que le produit en fin de vie utile doit être collecté séparément des autres déchets municipaux en mélange. L'utilisateur doit donc remettre l'équipement en fin de vie aux centres de collecte appropriés ou le restituer au revendeur lors de l'achat d'un nouveau type d'équipement équivalent, dans le rapport de un à un. De plus, l'utilisateur a la possibilité de conférer gratuitement aux distributeurs, sans aucune obligation d'achat, de très petits DEEE (pour les appareils ménagers sans dimensions extérieures supérieures à 25 cm). La collecte séparée adéquate des DEEE contribue à leur réutilisation, leur recyclage et leur valorisation et évite les éventuels effets négatifs sur l'environnement et la santé humaine en raison de la présence possible de substances dangereuses dans ceux-ci.

SPA ELIMINACIÓN

De conformidad con el Decreto legislativo n. 49 de 14 de marzo 2014 "Aplicación de la Directiva 2012/19/UE relativa a residuos de aparatos eléctricos y electrónicos (RAEE)".

El símbolo del contenedor tachado indicado sobre los aparatos o sobre los embalajes señala que el producto al final de su vida útil debe ser recogido separadamente de otros residuos municipales mezclados. Por tanto, el usuario deberá conferir los aparatos al final de su vida útil en los apropiados centros de recogida selectiva o devolverlos al revendedor al momento de la compra de nuevos aparatos equivalentes, en una relación de uno a uno. Además, el usuario tiene la posibilidad de entregar sin cargo a los distribuidores, sin ninguna obligación de compra, los RAEEs muy pequeños (para electrodomésticos sin dimensiones externas superiores a 25 cm).

La recogida selectiva apropiada de los RAEEs contribuye a su reutilización, reciclaje y valorización y evita potenciales impactos negativos sobre el medio ambiente y la salud humana debidos a la posible presencia de sustancias peligrosas dentro de ellos.

NLD VERWIJDERING

In overeenstemming met het Wetsbesluit nr. 49 van 14 maart 2015 "Implementatie van de Richtlijn 2012/19/EU inzake afgedankte elektrische en elektronische apparaten (AEEA)".

Het doorgekruiste vuilnisbaksymbool op het apparaat of de verpakking geeft aan dat het product aan het einde van zijn levensduur niet samen met het gewone huisvuil weggegooid mag worden. De gebruiker moet het apparaat aan het einde van zijn levensduur inleveren bij een gepast inzamelpunt of de winkel waar hij een nieuw apparaat van een gelijksoortig type zal kopen. De gebruiker kan tevens AEEA's van een zeer klein formaat (huishoudapparaten met een buitenafmeting kleiner dan 25 cm (9,84 inch) gratis en zonder enige aankoopverplichting bij handelaars inleveren. Een juiste verwijdering van AEEA's draagt bij tot hergebruik, recycling en terugwinning, en voorkomt potentiële negatieve effecten op het milieu en de menselijke gezondheid door de mogelijke aanwezigheid van gevaarlijke stoffen.

POR ELIMINAÇÃO

De acordo com o Decreto Legislativo n.º 49 de 14 de março de 2014 "Implementação da Diretiva 2012/19/UE relativa aos resíduos de equipamentos elétricos e eletrónicos (REEE)".

O símbolo do caixote do lixo riscado no equipamento ou na embalagem indica que quando o produto atinge o fim da sua vida útil, deve ser recolhido separadamente dos resíduos urbanos mistos. O utilizador deve, portanto, eliminar o equipamento no final da sua vida útil nos centros de recolha de resíduos adequados ou levá-lo ao vendedor durante a compra de um novo equipamento de tipo equivalente, na proporção de um para um. Além disso, o utilizador pode eliminar gratuitamente os REEE de dimensões muito reduzidas aos vendedores, sem qualquer obrigação de compra. (só aparelhos domésticos sem qualquer dimensão externa que exceda 25 cm, ou seja 9,84 polegadas). A correta eliminação dos REEE contribui para a sua reutilização, reciclagem e recuperação e evita potenciais efeitos negativos sobre o ambiente e a saúde humana devido à possível presença de substâncias perigosas no seu interior.

| | | |
|--|--|--|
| MANUFACTURER FABBRICANTE FABRICANT FABRICANTE FABRIKANT FABRICANTE | VIDEX ELECTRONICS S.P.A. Via del Lavoro, 1 63846 Monte Giberto (FM) Italy Tel (+39) 0734 631669 Fax (+39) 0734 632475 www.videx.it - info@videx.it | |
| CUSTOMER SUPPORT SUPPORTO CLIENTI SUPPORTS CLIENTS ATENCIÓN AL CLIENTE KLANTENDIENST APOIO AO CLIENTE | VIDEX ELECTRONICS S.P.A. www.videx.it technical@videx.it Tel: +39 0734-631669 Fax: +39 0734-632475 | UK Customers only: VIDEX SECURITY LTD www.videxuk.com Tech Line: 0191 224 3174 tech@videxuk.com |

الشركة المصنعة

خدمة العملاء

Portugal office:

VX IBÉRIA, UNIPESSOAL LDA
 Rua Tenente Mário Grilo, 26 D, E, F
 4200-397 Porto
 Phone: (+351) 221 124 531
 www.videx.it
 comercial@videx.it

Singapore office:

VIDEX ASIA PACIFIC PTE LTD
 1 TAMPINES NORTH DRIVE 1,
 #06-08, T-Space
 Singapore 528559
 Phone: (+65) 81898912
 commercial@videx.it

Main UK office:

VIDEX SECURITY LTD
 1 Osprey Trinity Park
 Trinity Way
 LONDON E4 8TD
 Phone: (+44) 0370 300 1240
 www.videxuk.com
 marketing@videxuk.com

Northern UK office:

VIDEX SECURITY LTD
 Unit 4-7
 Chillingham Industrial Estate
 Chapman Street
 NEWCASTLE UPON TYNE - NE6 2XX
 Tech Line: (+44) 0191 224 3174
 Phone: (+44) 0370 300 1240

Greece office:

VIDEX HELLAS Electronics
 48 Filolaou Str.
 11633 ATHENS
 Phone: (+30) 210 7521028
 (+30) 210 7521998
 Fax: (+30) 210 7560712
 www.videx.gr
 videx@videx.gr

Danish office:

VIDEX DANMARK
 Hammershusgade 15
 DK-2100 COPENHAGEN
 Phone: (+45) 39 29 80 00
 Fax: (+45) 39 27 77 75
 www.videx.dk
 videx@videx.dk

Benelux office:

NESTOR COMPANY NV
 E3 laan, 93
 B-9800 Deinze
 Phone: (+32) 9 380 40 20
 Fax: (+32) 9 380 40 25
 www.nestorcompany.be
 info@nestorcompany.be

Dutch office:

NESTOR COMPANY BV
 Business Center Twente (BCT)
 Grotestraat, 64
 NL-7622 GM Borne
 www.videxintercom.nl
 info@videxintercom.nl



The product is CE marked demonstrating its conformity and is for distribution within all member states of the EU with no restrictions. This product follows the provisions of the European Directives 2014/30/EU (EMC); 2014/35/EU (LVD); 2011/65/EU (RoHS): CE marking 93/68/EEC.

Le produit est marqué CE à preuve de sa conformité et peut être distribué librement à l'intérieur des pays membres de l'union européenne EU.

Ce produit est conforme aux directives européennes 2014/30/EU (EMC) ; 2014/35/EU (LVD) ; 2011/65/EU (RoHS): marquage CE 93/68/EEC.

Het product heeft de CE-markering om de conformiteit ervan aan te tonen en is bestemd voor distributie binnen de lidstaten van de EU zonder beperkingen. Dit product volgt de bepalingen van de Europese Richtlijnen 2014/30/EU (EMC); 2014/35/EU (LVD); 2011/65/EU (RoHS): CE-markering 93/68/EEG.

يحمل المنتج علامة التوافق الأوروبي CE لإظهار توافقه مع المواصفات ذات الصلة وإمكانية توزيعه في كافة دول الاتحاد الأوروبي بدون أية قيود. يلبي هذا المنتج جميع متطلبات التوجيهات الأوروبية 2014/30/UE (EMC) ; 2014/35/UE (LVD) ; 2011/65/UE (RoHS) : علامة المطابقة للمواصفات الأوروبية 93/68/EEC.

Il prodotto è marchiato CE a dimostrazione della sua conformità e può essere distribuito liberamente all'interno dei paesi membri dell'Unione Europea UE.

Questo prodotto è conforme alle direttive Europee: 2014/30/UE (EMC); 2014/35/UE (LVD); 2011/65/UE (RoHS): marcatura CE 93/68/EEC.

El producto lleva la marca CE que demuestra su conformidad y puede ser distribuido en todos los estados miembros de la unión europea UE.

Este producto cumple con las Directivas Europeas 2014/30/EU (EMC); 2014/35/EU (LVD); 2011/65/EU (RoHS): marca CE 93/68/EEC.

O produto tem a marca CE que demonstra a sua conformidade e destina-se a distribuição em todos os estados membros da UE, sem restrições. Este produto segue as disposições das Diretivas Europeias 2014/30/UE (EMC); 2014/35/UE (LVD); 2011/65/UE (RoHS): marcação CE 93/68/CEE.

