

4000  
SERIES

# 4837

4000 series 0-button, 1-button or 2-button audio speaker module for "4+1" audio and video systems



4837-1/M



4837-0/M



4837-2/M

## 4000 series audio speaker

Two way speech amplifier module for 4000 series "4+1" traditional audio & video systems.

## Blue back-lit name plate window

2 LEDs to illuminate the name plate window (except the 0 button version).

## Electronic call tone

Call reassurance tone to let the visitor know the call is in progress.

## Lock release

Internal lock release relay to activate low current fail secure 13Vac lock.

## 4000 series modular design

Robust modular design compatible with all 4000 series surface and flush back boxes.

## Available finishes and versions



4837-0/S



4837-1/S



4837-2/S

Mirror stainless steel



4837-0/BL



4837-1/BL



4837-2/BL

Gun metal grey



4K AUDIO



4+1  
STANDARD  
AUDIO



IK07



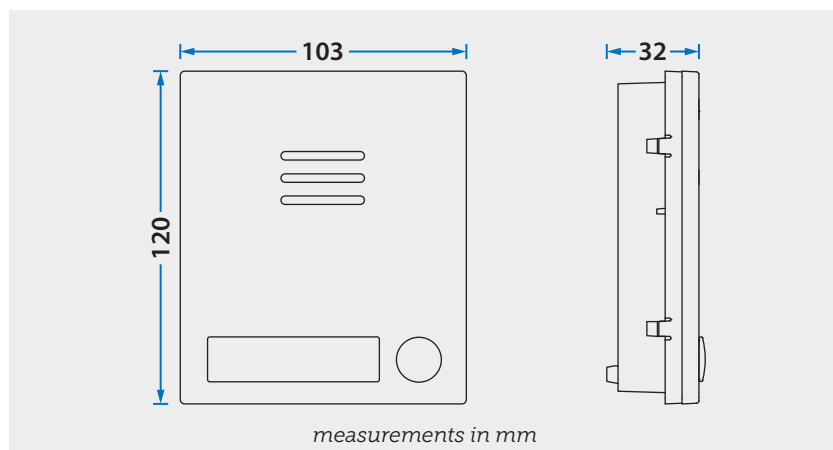
IP65



THE POWER TO SECURE

## 4000 series 0-button, 1-button or 2-button "4+1" speaker for traditional audio & video systems

- Audio speaker modules for use in traditional single entrance or multiple entrance audio and video systems.
- Compatible with the full range of 4000 series surface and flush back boxes and front support frames.
- Impact Protection rating **IK07** and ingress protection rating **IP65**.
- Front fascia options: matt 316 brushed stainless steel marine grade (**/M**), mirror stainless steel finish (**/S**) or gun metal grey finish (**/BL**).
- Call reassurance tones.
- Microphone and speaker volume control POTs.
- Power supply input via 12Vdc PSU (**520M** or **521B**).



### Module button expansion

Using a combination of 4000 series button expansion modules the desired number of call buttons for a multiple button audio or video system can be achieved.

## Technical characteristics

<b>Description</b>	Modular 4000 series "4+1" audio speaker for traditional audio & video systems		
<b>Audio/Video</b>	Audio only module however can be used on video systems		
<b>Buttons</b>	<b>Built-in</b>	0, (4837-0)	1, (4837-1)
	<b>Max.</b>	multiple combinations with the use of additional 4000 series button modules: 4842, 4843, 4844, 4845, 4842D, 4843D, 4844D and 4845D.	
<b>Name plate &amp; illumination</b>	None	1, back-lit blue	2, back-lit blue
<b>Front fascia finishes</b>	/M matt 316 stainless steel, /S mirror stainless steel or /BL gun metal grey		
<b>Module protection rating</b>	IK07 impact protection and IP65 ingress protection		
<b>Call Progress LEDs</b>	N/A		
<b>Module programming</b>	N/A		
<b>Module Size</b>	1 module 4000 series: 103 (W) x 120 (L) x 32 (D) mm		
<b>Adjustment POTs</b>	Yes: microphone and speaker volume controls		
<b>No. of relays</b>	1 internal relay		
<b>Relay contacts</b>	Normally open contacts: S/S1 (CO/NO pair)		
<b>Relay voltage and amp rating</b>	Dry contact voltage: 24Vac/dc / Current rating: 2A max.		
<b>PTE input</b>	Yes: 1xRL switched 0V input (push-to-make)		
<b>Working voltage</b>	12Vdc (compatible PSU's: 520M and 521B)		
<b>Power consumption</b>	standby: 25mA / during a call: 150mA / During conversation: 70mA		
<b>Working temperature</b>	-20°/+60°C		

### VIDEX SECURITY LTD.

#### Main UK Office

1 Osprey, Trinity Park, Trinity Way,  
London, E4 8TD  
tel: 0370 300 1240

[www.videxuk.com](http://www.videxuk.com)

#### Northern UK Office

Unit 4-7 Chillingham Ind. Estate, Chapman Street,  
Newcastle Upon Tyne, NE6 2XX  
tel: 0370 300 1240

[sales@videxuk.com](mailto:sales@videxuk.com)

