

KRV72

KRISTALLO Series 3.5" videophone with handset and hands-free for the VX2200 system (6 wires)



KRV72W



KRV72B

The Kristallo series has an elegant, sophisticated design that gives prestige to the device, making it a part of the furnishing.

The casing is made of a polished, white or black glass-effect polycarbonate.

The high-resolution 3.5" TFT LCD monitor offers sharp images and a wide view, soft-touch sensitive buttons allow easy and intuitive function management.

3.5" TFT LCD monitor

Backlight capacitive touch buttons

4 function LED's

Including door monitoring LED.

Up to 10 units in the same apartment

Up to 4 programmable push buttons for intercommunication

With another apartment or another room of the same apartment.

Adjustments and programming

Call tone volume, speech volume, hue, brightness, melody and rings, privacy and service time, intercommunication and buttons backlight.

Surface or tabletop installation



3.5" TFT LCD



TOUCH SENSITIVE



HANDS FREE



THE POWER TO SECURE

KRISTALLO Series 3.5" videophone with handset and hands-free for the VX2200 system (6 wires)

- TFT LCD monitor, 8 capacitive backlight touch buttons for controlling: Conversation/Camera recall/Push to talk, Door open/Concierge call, Service, Privacy/Reject call, up to 4 programmable push buttons for intercommunication (with another apartment or another room of the same apartment).
- Timed privacy service.
- 4 function LEDs: Conversation/Camera recall, Door open/Concierge call, Service, Privacy on.
- Adjustments: Call tone and Speech volume, Number of rings, Brightness, Hue.
- Programming: Number of rings, Melody type, Intercommunication, Service duration, Privacy duration, Buttons backlight.
- Local bell, Alarm inputs and Service button output. Coax/Balanced video mode.
- Up to 10 units in the same apartment.
- Wall mounted or table top, white or black finishes.



Technical characteristics

Display	3.5" TFT 320x240 pixel	
Handset / Hands free	Hands free with handset	
Buttons	8 capacitive touch buttons	
Buttons / Services ¹	Conversation/Camera recall/Push to talk Door open/Concierge call Service Privacy/Reject call Up to 4 programmable push buttons for intercommunication (with another apartment or another room of the same apartment)	
Privacy	Yes, timed	
LED²	Conversation/Camera recall Door open/Concierge call	Service Privacy on
Adjustments	Speech volume Call tone volume	Brightness Hue
Programming	Number of rings Melody type Intercommunication	Service duration Privacy duration Buttons backlight
Inputs	Local bell, Alarm	
Outputs	Service button	
Video mode	Coax/Balanced	
Max number of units	Up to 10 units in the same apartment (using additional 18Vdc PSU)	
Mounting	Surface or tabletop	
Finishes	White KRV72W Black KRV72B	
Desktop kit	KRV931	

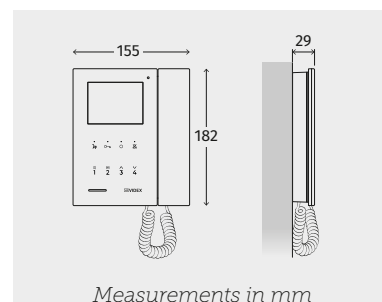
¹ Some buttons are used for multiple functions.

² The operation of some LED's and the functions described may require additional cabling.

Accessories



**KRV931
Desktop kit**



VIDEX SECURITY LTD.

Main UK Office

1 Osprey, Trinity Park, Trinity Way,
London, E4 8TD
tel: 0370 300 1240

www.videxuk.com

Northern UK Office

Unit 4-7 Chillingham Ind. Estate, Chapman Street,
Newcastle Upon Tyne, NE6 2XX
tel: 0370 300 1240

sales@videxuk.com

