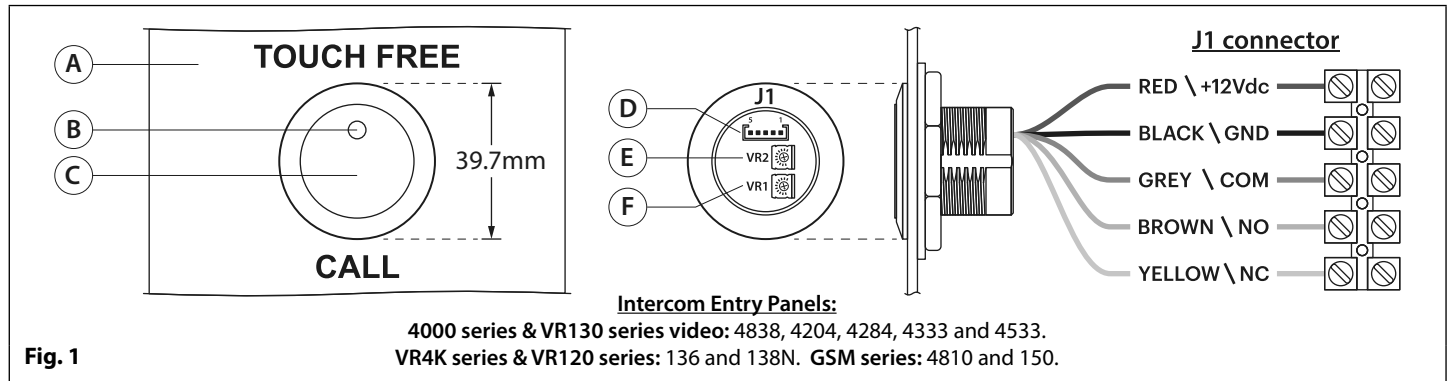


# PBT-30IR Infrared Touch Free Call Button

## PANEL MOUNT TOUCH FREE CALL BUTTON



### DESCRIPTION & OPERATION

The PBT-30IR is a panel mount touch free call button (Fig.1) that incorporates infrared sensor technology.

It is suitable for **1 button intercom panels only** and is compatible with the following range of Videx entry panels: **4000 series, GSM series, VR4K, VR120 and VR130 series.**

The touch free call button allows a user to safely make an intercom call to an office/home/apartment without the need to press a button by simply approaching the button sensor (Fig.1 C) with their hand and activating the buttons relay output.

During standby the status LED (Fig.1 B) will be illuminated red indicating the button has 12Vdc power, when the button is activated the status LED will change and illuminate blue.

The internal electronics are resin potted offering an additional layer of protection from the elements (IP65). It has a connector J1 (Fig.1 D) with pre-coloured wires allowing connection for 12Vdc power and the relay output connections COM, NO and NC.

It also includes two variable POT controls, VR1 and VR2, allowing for the setup of the relay output time (0.5 ~ 20 secs or latching toggle ON/OFF mode) and the adjustment of the infrared sensors proximity range (3 ~ 15 cm) respectively.

For call button setup and wiring connections for the appropriate intercom entry panel refer to the wiring diagrams on page 2.

### LEGEND

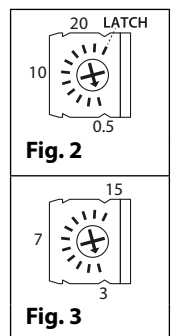
- Ⓐ Intercom entry panel fascia.
- Ⓑ Status LED (red : power ON/standby, blue : button activation).
- Ⓒ Infrared sensor reading area.
- Ⓓ J1 connector (power & relay output wires).
- Ⓔ VR2 POT, adjustable infrared sensor proximity control (3 ~ 15 cm).
- Ⓕ VR1 POT, adjustable relay output time (0.5 ~ 20 secs or latching toggle mode).

**⚠ IMPORTANT NOTE! : ALTHOUGH THE TOUCH FREE CALL BUTTON IS DESIGNED FOR INTERNAL USE WHEN USED EXTERNALLY THEY MUST BE PROTECTED FROM DIRECT RAIN/SLEET/SNOW ETC. TO AVOID FALSE TRIGGERING OF THE SENSOR.**

### RELAY OUTPUT TIME CONTROL (VR1) & INFRARED SENSOR PROXIMITY CONTROL (VR2)

The VR1 adjustment POT, Fig.2, sets the touch free buttons relay output time from 0.5 ~ 20 seconds or latching (toggle ON/OFF) mode. Turning VR1 clockwise will increase the relay output time, turning VR1 anti-clockwise will decrease the relay output time. Turning the POT fully clockwise will set the relay output for latching (toggle ON/OFF) mode.

The VR2 adjustment POT, Fig.3, controls the proximity range of the infrared sensor, i.e. the distance at which the sensor will register a hand and activate the relay output. By default this will initially be set to 3cm (approx). Turning VR2 clockwise will increase the sensors reading range, turning VR2 anti-clockwise will decrease the sensors reading range. The sensor range is between 3 ~ 15 cm.



### J1 CONNECTOR

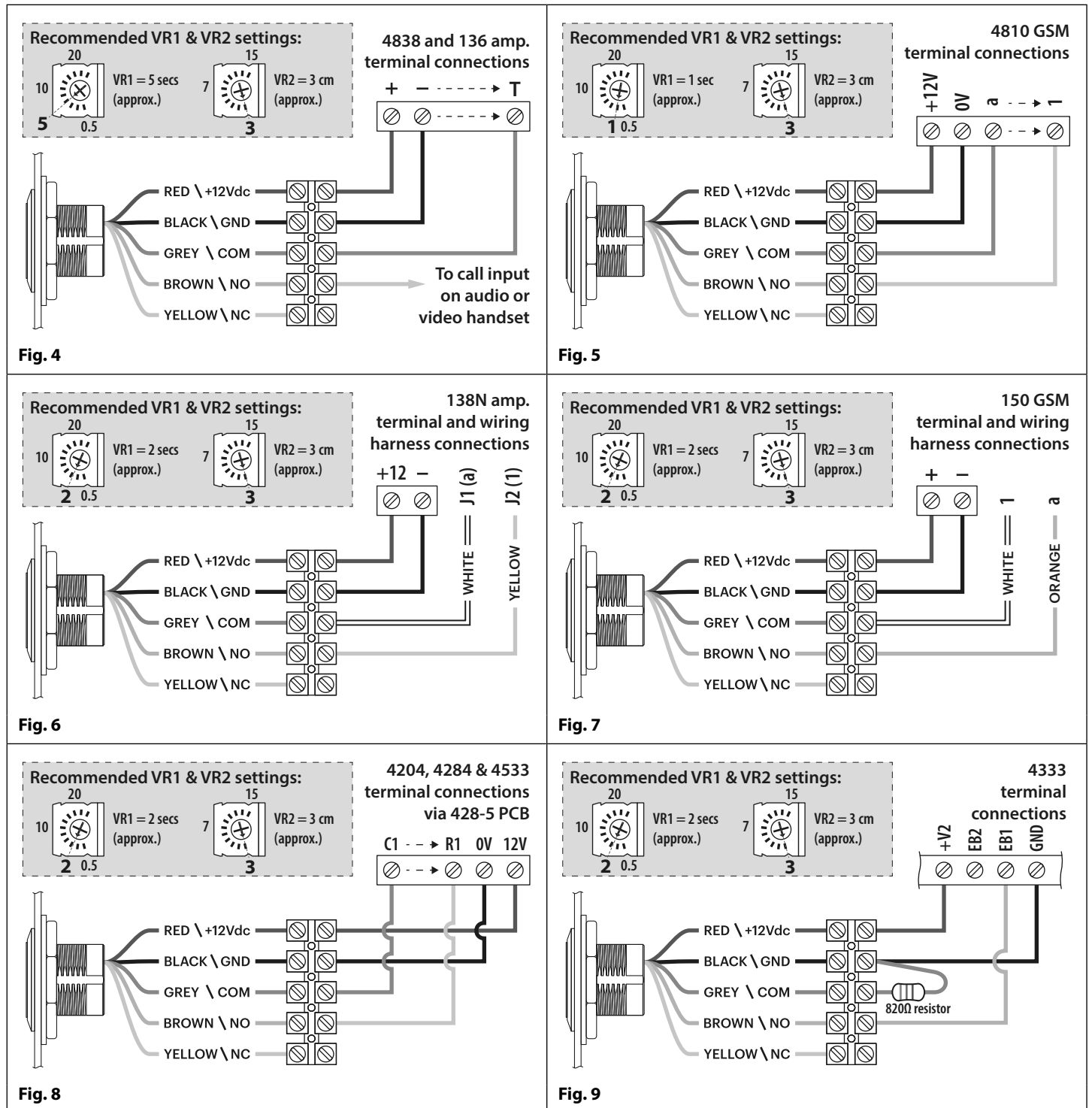
Wire Colour	Connection / Description
Red	+12V / +12Vdc power input
Black	GND / 0V power input
Grey	COM / relay common connection
Brown	NO / relay normally open connection
Yellow	NC / relay normally closed connection

### TECHNICAL SPECIFICATION

- Working voltage:** 12Vdc (+/- 10%)
- Current (standby):** 25mA (+/- 5%)
- Current (operation):** 37mA (+/- 5%)
- Relay output:** COM, NO and NC
- Relay current / voltage:** 1A @ 30Vdc (max.)
- Working Temperature:** -10°C ~ +50°C

**WIRING DIAGRAMS INCLUDING VR1 & VR2 SETTINGS**

For connections to a 4838 and 136 amp follow **Fig.4**. For connections to a 4810 GSM module follow **Fig.5**. For connections to a 138N amp follow **Fig.6**. For connections to a 150 GSM module follow **Fig.7**. For connections to a 4204, 4284 and 4533 amp follow **Fig.8**. For connections to a 4333 amp follow **Fig.9**.



**IMPORTANT NOTE:** Please note that the above settings for VR1 and VR2 are recommendations only as each setup may vary from installation to installation and therefore may require additional adjustments.

**UK CUSTOMER SUPPORT**

**VIDEX SECURITY LTD.**  
www.videxuk.com  
sales@videxuk.com  
Tel: 0370 300 1240  
Fax: 0191 224 5678

**Technical Support:**  
tech@videxuk.com  
Tech Line: 0191 224 3174  
Fax: 0191 224 1559

**CE** CE conformity marking indicates that the product respects the requirements of the applicable European Community Directives in force specifically EMC 2004/108/ECC, LVD 2006/95/ECC and CE-MARKING 93/68/ECC. CE marking is applied by the manufacturer (or party delegated to do so by the manufacturer) under their own responsibility. It was created to eliminate obstacles to the circulation of products in European Union Member States by harmonising different national standards.