

# 4000 Series Flush Boxes

4000 Series Flush Back Boxes and Front Support Frames



FLUSH BACK BOX

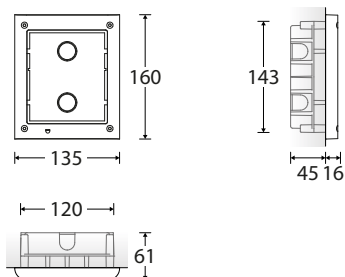
Art. 4851



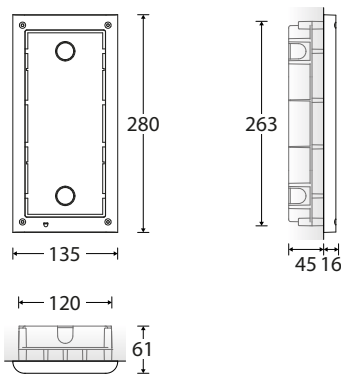
Art. 4852



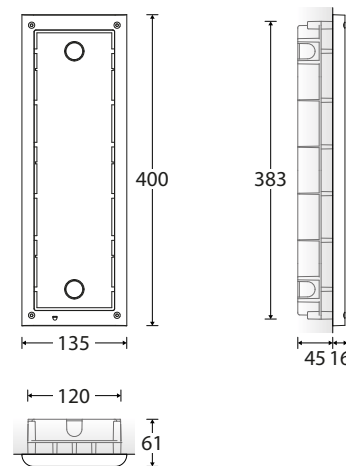
Art. 4853



1 MODULE



2 MODULE



3 MODULE

Art.	4851	4852	4853
<b>DESCRIPTION</b>	4000 Series flush back boxes and front support frames		
<b>HOUSED MODULE SIZE</b>	1 module	2 module	3 module
<b>FINISH &amp; MATERIALS</b>	Front support frame: embossed metallized "gun-metal" grey Flush back box: white, high impact ABS plastics		
<b>FRONT SUPPORT FRAME SIZE (MM)</b>	135 (W) x 160 (L) x 16 (D)	135 (W) x 280 (L) x 16 (D)	135 (W) x 400 (L) x 16 (D)
<b>BACK BOX SIZE (MM)</b>	120 (W) x 143 (L) x 45 (D)	120 (W) x 263 (L) x 45 (D)	120 (W) x 383 (L) x 45 (D)
<b>SYSTEM COMPATIBILITY</b>	Compatible with the full range of both audio and video 4000 series modules, also compatible with the full range of both audio and video VR4K series modules. Compatible with the flush 4000 series rainshields: <b>4871, 4872, 4873, 4874, 4876</b> and <b>4879</b> .		
<b>NOTES</b>	The front support frame is provided with a waterproof gasket, fixing brackets and torx pin security screws for fixing to the flush back box. Additional spacers are also provided to connect the flush back boxes together when the outdoor station requires more than 3 modules e.g. when 4 modules are required 2x <b>4852</b> flush back boxes can be connected together using the spacers provided. Also provided is a torx pin screwdriver or torx key wrench.		