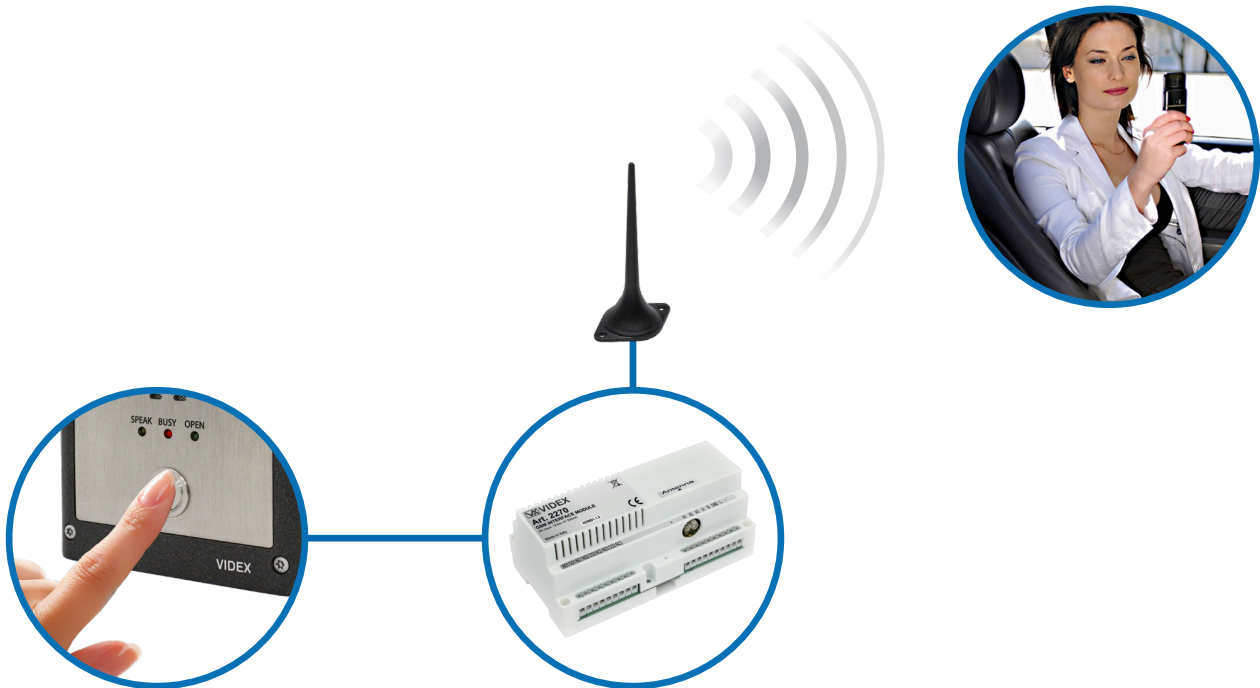

VX2200 DIGITAL SYSTEM GSM INTERFACE

ART.2270 GSM INTERFACE MODULE



VIDEX
GSM

GSM interface module
employing mobile
phone technology
to communicate
and operate doors,
automatic gates and
remote site applications.



With GSM comes freedom. Answer calls from your door or gate from any telephone number including your mobile so you never have to miss that important caller.

The Art.2270 GSM module is designed to work on the same technology as mobile phones and also interface with the VX2200 digital 2 wire bus system. It enables a call to be made from an entry point (door, gate etc.) to any telephone number (mobile or land line). It connects directly to the 2 wire databus and is compatible with the full range of VX2200 intercom panels both functional or digital. This flexibility means it can be integrated into small or large scale VX2200 digital systems that also comprises of Videx audiophones and videophones.

Up to 180 users can be programmed into the module using the same method of phone ID addressing that is associated with the VX2200 system, and all with the facility to divert to additional numbers if the first is busy or unanswered (1 primary and 3 divert numbers).

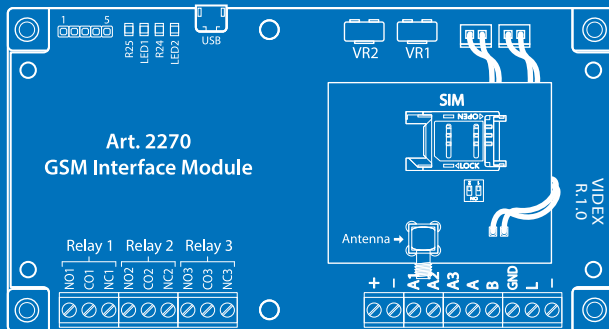
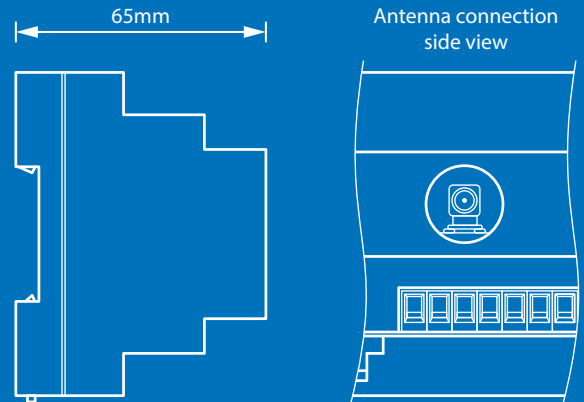
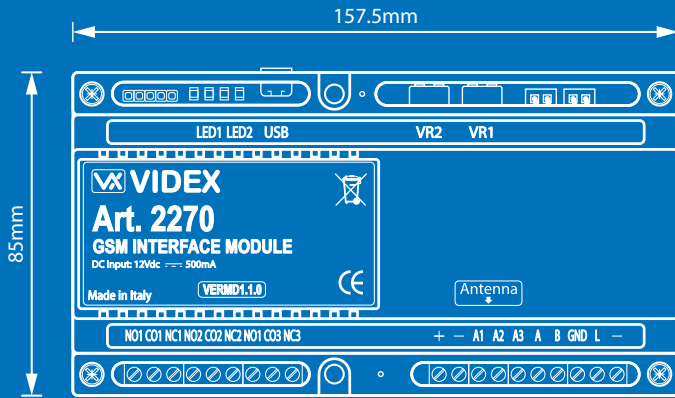
Programming is carried out via SMS messaging or if using the GSMSK PC software it can be connected via a micro-USB or RS485 bus connection. The module includes 3 auxiliary inputs, 3 dry contact relays, speech volume control adjustments and can be powered using 12Vdc.

An event log is maintained within the GSM module and can be integrated via the USB port and the PC software which includes many features to simplify the installation and programming process.

VIDEX[®]

www.videxuk.com

Model	System	Description
2270	GSM module	VX2200 GSM Interface module
DR15-12	GSM accessories	12Vdc, 1.25A PSU
432		GSM antenna (inc. L bracket)
GSMSK		GSM PC programming software (inc. USB cable)



Key Features Include:

- Compatible with the full range of VX2200 intercom panels;
- Works on both a 2G and 3G network;
- Program up to 180 users each with 4 programmable phone numbers (1 primary and 3 diverts);
- Micro-USB connection or RS485 bus connection (for ease of programming);
- 3x auxiliary inputs and 3x dry contact relays;
- 3 programmable automated SMS messages triggered by the auxiliary inputs;
- Apartment alarm trigger on the databus to activate the relays or send an SMS message;
- Dial to open facility for up to 3000 numbers (1000 numbers per relay);
- Programmable timeband feature;
- Event log for up to 8000 events.

Southern Office

1 Osprey, Trinity Park,
Trinity Way, London,
E4 8TD
T 0870 300 1240 • F 020 8523 5825

Northern Office

Unit 4-7 Chillingham Ind. Estate,
Chapman Street,
Newcastle Upon Tyne, NE6 2XX
T 0870 300 1240 • F 0191 224 1559



sales@videxuk.com • www.videxuk.com

