

Fig. 1

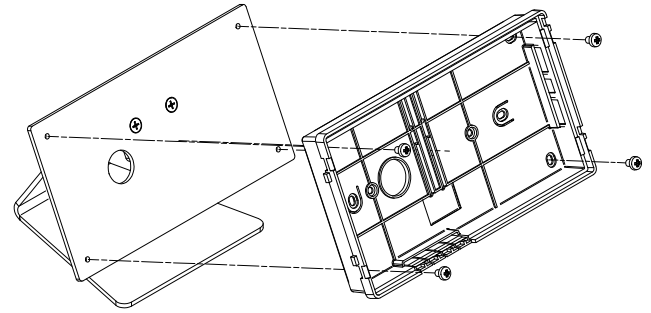


Fig. 2

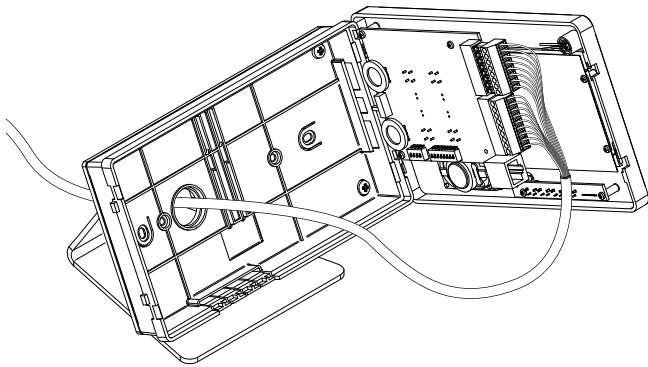


Fig. 3

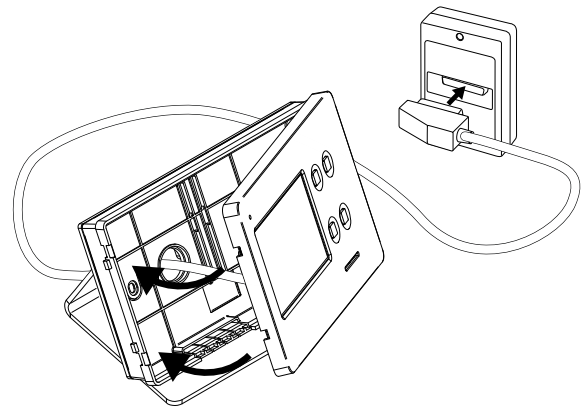
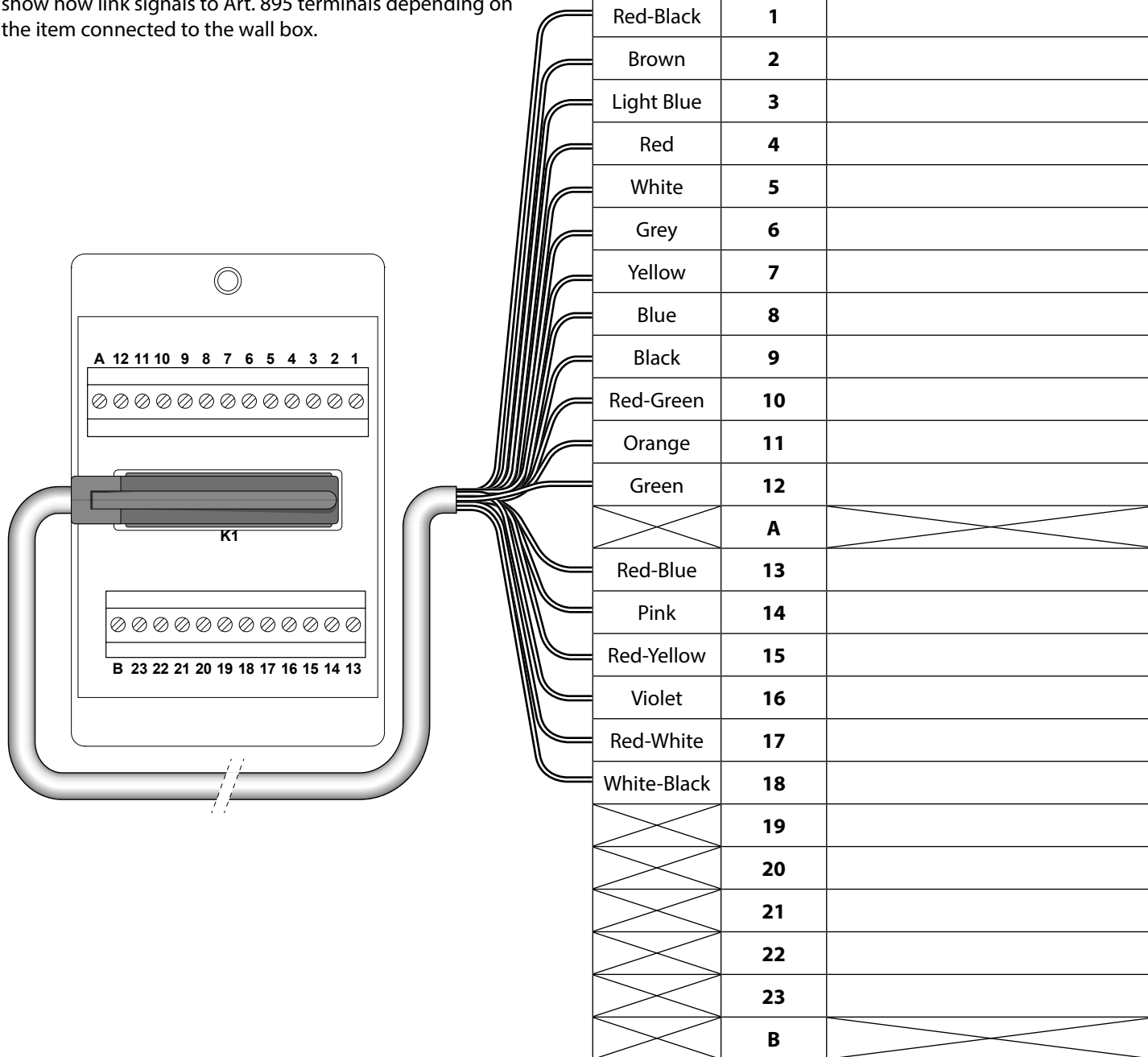


Fig. 4

DESCRIPTION

The Art. 895 can be used with different items, the table below show how link signals to Art. 895 terminals depending on the item connected to the wall box.



CUSTOMER SUPPORT



All Countries:
VIDEX ELECTRONICS S.P.A.
www.videx.it - technical@videx.it
 Tel: +39 0734-631669
 Fax: +39 0734-632475

UK Customers:
VIDEX SECURITY LTD
www.videx-security.com
 Tech Line: 0191 224 3174
 Fax: 0191 224 1559



The product is CE marked demonstrating its conformity and is for distribution within all member states of the EU with no restrictions. This product follows the provisions of the European Directives 2004/108/ECC (EMC); 2006/95/ECC (LVD) and 93/68/ECC (CE marking).