

Art. 4842D .. 4845D Button expansion modules

DOUBLE ROW BUTTON EXPANSION MODULES

(4 TO 10 BUTTONS)

Push button modules allow the expansion of the number of calls. Available in 4, 6, 8 and 10 call button versions.

Each button has its own connection terminals, but the module can be configured to have a single common terminal for each row. The common terminals configuration can be selected on the 8 jumpers, accessible from the rear of the module.

ART. 4842D, 4843D, 4844D, 4845D

Depending on the number of push buttons available, the module can have 2 or 4 illumination LED's for the card-name holder. Looking at the module from the front, push buttons are numbered as shown in the drawing. Each button has the relevant terminals: button 1-terminals "1,1C", button 2-terminals "2,2C" etc.

Attention! push button numeration is the same for the 4 module: using the Art. 4842D you will have the buttons 1, 2, 6 and 7 with the relevant terminals "1,1C-2,2C-6,6C-7,7C".

COMMON TERMINAL SETTING

Settings referred to the module with the maximum number of push buttons: Art.4845D – 10 push buttons.

	Commons of push buttons from 2 to 5 are linked to button 1 common terminal "1C" while commons of push buttons from 7 to 10 are linked to button 6 common terminal "6C"
	Each button has its own common terminal.

The settings shown are for all buttons common together (buttons 1 – 5 to 1C and buttons 7 – 10 to 6C) or all buttons individual, but you can choose any combination of this for each button.

ADHESIVE GASKET PLACEMENT

Apply the Y silicon sealant as shown in "Fig. 1".

ANTI-TAMPERING LOCKS FIXING

Fit the anti-tampering locks as shown in "Fig. 2".

HOW TO REMOVE/INSERT THE CARD NAME HOLDER

- To avoid damage to the module front plate, tape the side that will be in contact with the screwdriver blade;
- Insert the screwdriver (flat side) into the card-holder hole as shown in "Fig. 3";
- Move the screwdriver To the left as shown in "Fig. 4" to extract the card name holder;
- Edit the card name then replace it inside the holder and refit: insert the holder inside its housing from the left or right side then push the other side until it clips into place.

TECHNICAL SPECIFICATION

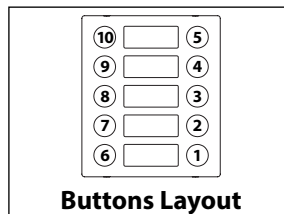
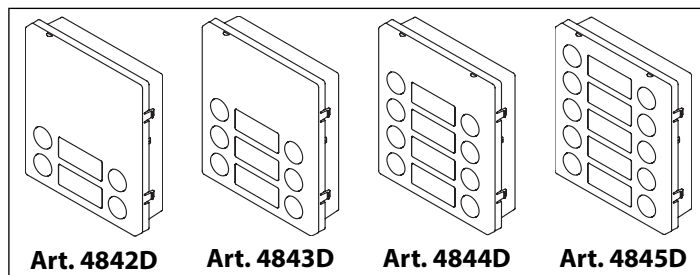
Power Supply:	12Vdc
Power Consumption:	50mA max
Working Temperature:	-10 +50 °C

CUSTOMER SUPPORT

All Countries:
VIDEX ELECTRONICS S.P.A.
 www.videx.it - technical@videx.it
 Tel: +39 0734-631669
 Fax: +39 0734-632475

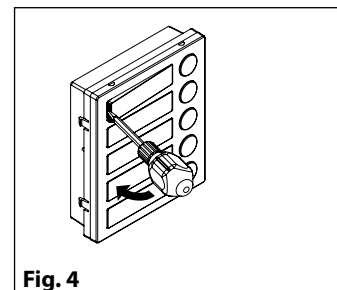
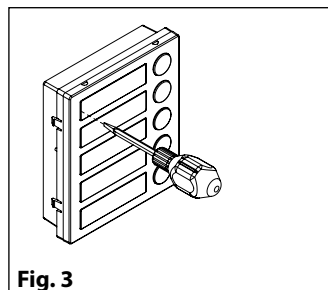
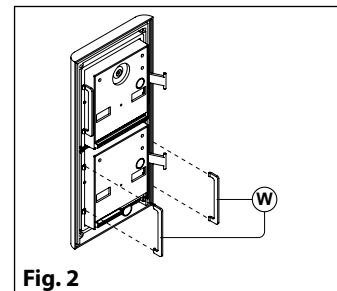
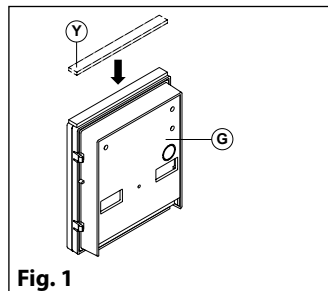
UK Customers:
VIDEX SECURITY LTD
 www.videx-security.com
 Tech Line: 0191 224 3174
 Fax: 0191 224 1559

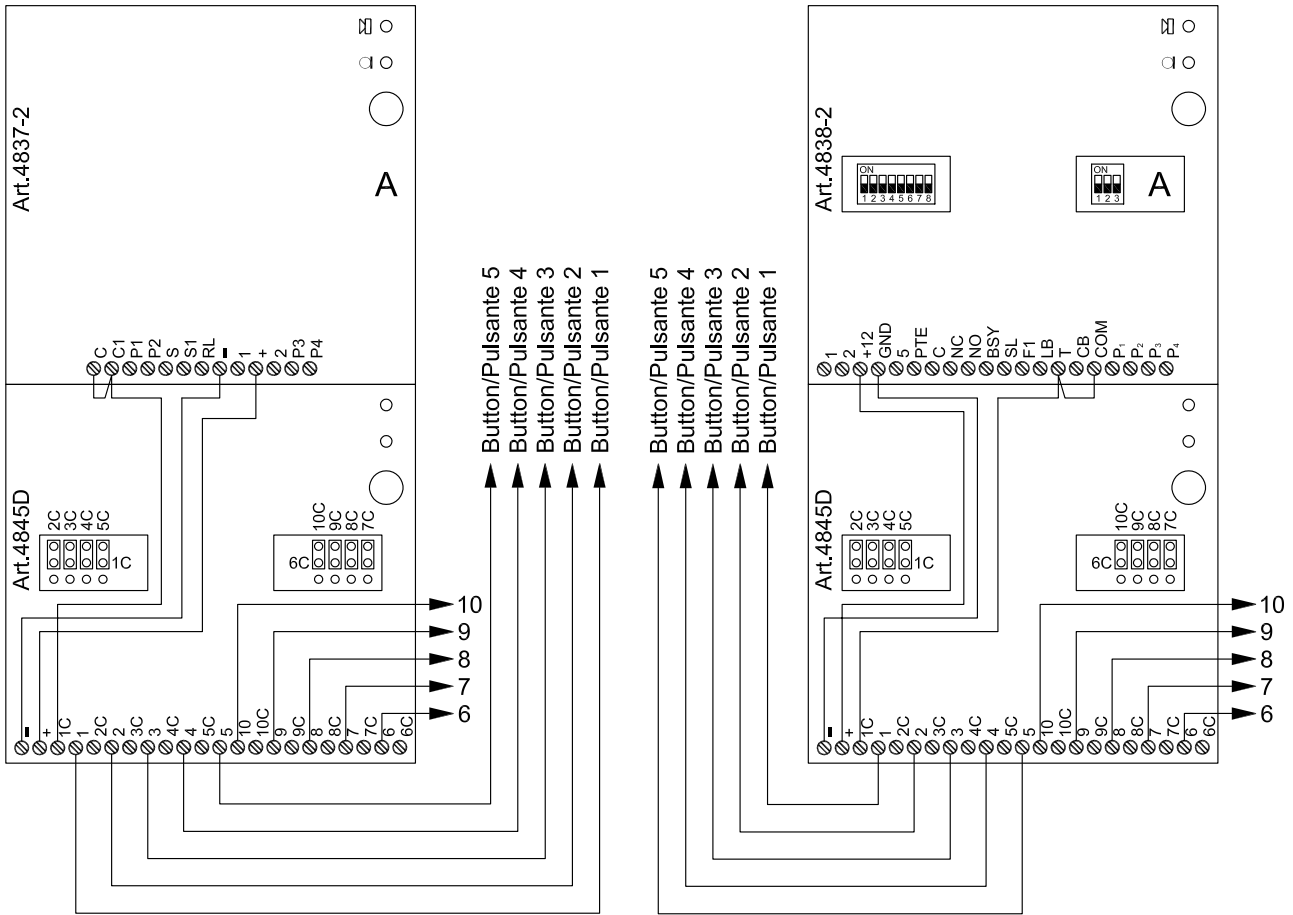
The product is CE marked demonstrating its conformity and is for distribution within all member states of the EU with no restrictions. This product follows the provisions of the European Directives 2004/108/ECC (EMC); 2006/95/ECC (LVD) and 93/68/ECC (CE marking).



Art.	Call push buttons
4842D	4
4843D	6
4844D	8
4845D	10

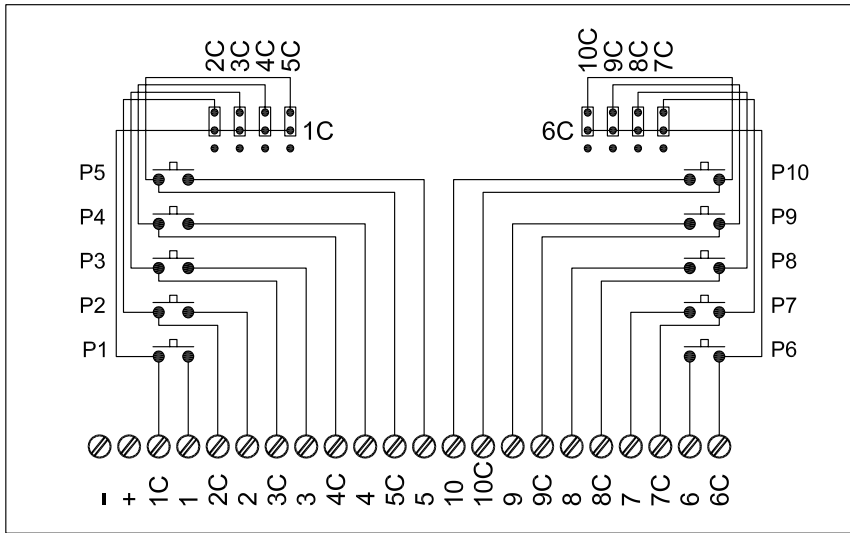
TERMINALS			
-	12Vdc power input for illumination LED's supply		
+			
1C	Push button 1 common	10	Push button 10
1	Push button 1	10C	Push button 10 common
2C	Push button 2 common	9	Push button 9
2	Push button 2	9C	Push button 9 common
3C	Push button 3 common	8	Push button 8
3	Push button 3	8C	Push button 8 common
4C	Push button 4 common	7	Push button 7
4	Push button 4	7C	Push button 7 common
5C	Push button 5 common	6	Push button 6
5	Push button 5	6C	Push button 6 common



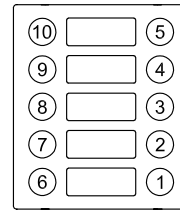


Example of connection with speaker unit Art.4837
Esempio di collegamento con portiere elettrico Art.4837

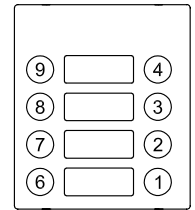
Example of connection with speaker unit Art.4838
Esempio di collegamento con portiere elettrico Art.4838



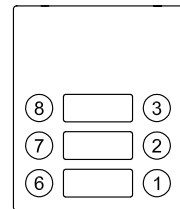
Push buttons internal connection
Collegamento interno dei pulsanti



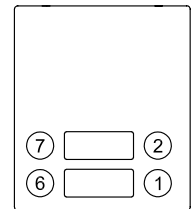
Art.4845D



Art.4844D



Art.4843D



Art.4842D

Title: Double Row Button Expansion Modules 4842D..4845D Connection

Title: Collegamento moduli d'espansione pulsantiera 4842D..4845D

Videx Electronics S.p.A.
Via del Lavoro 1, 63020 Monte Giberto (AP)
Phone: +39 0734 631669 - Fax +39 0734 631689
www.videx.it - info@videx.it

Notes:

Notes:

Data creazione:

31/10/2005

Foglio

1 / 1

Data modifica:

31/10/2005

Autore:

Marco Rongoni

Cod.File:

4842d-4845d.dwg