

Art. 8837 Speaker unit modules

DESCRIPTION

ART. 8837-0, ART. 8837-1, ART. 8837-2

Are used for "4+1" audio door entry systems or in combination with camera module Art. V8830, for traditional video door entry systems using coax video signal or bal-anced video signal. The back of the speaker unit module is made from plastic and houses the module circuitry. The top is a plastic cover covered by a front plate (avail-able in different finishes) that has 0, 1 or 2 call buttons depending on the speaker unit model (Art. 8837-0, Art. 8837-1, Art. 8837-2).

The speaker unit circuitry includes:

- The transmitting amplifier with condenser microphone and volume control;
- The receiving amplifier and volume control;
- 1 LED to illuminate the name plate (except Art. 8837-0).

The version Art. 8837-0 has only the terminals "2", "3", "1" and "4".

On the Art. 8837-1, terminal P2 is not fitted.

Microphone volume trimmer and loudspeaker volume trimmer are on available on the back of the module.

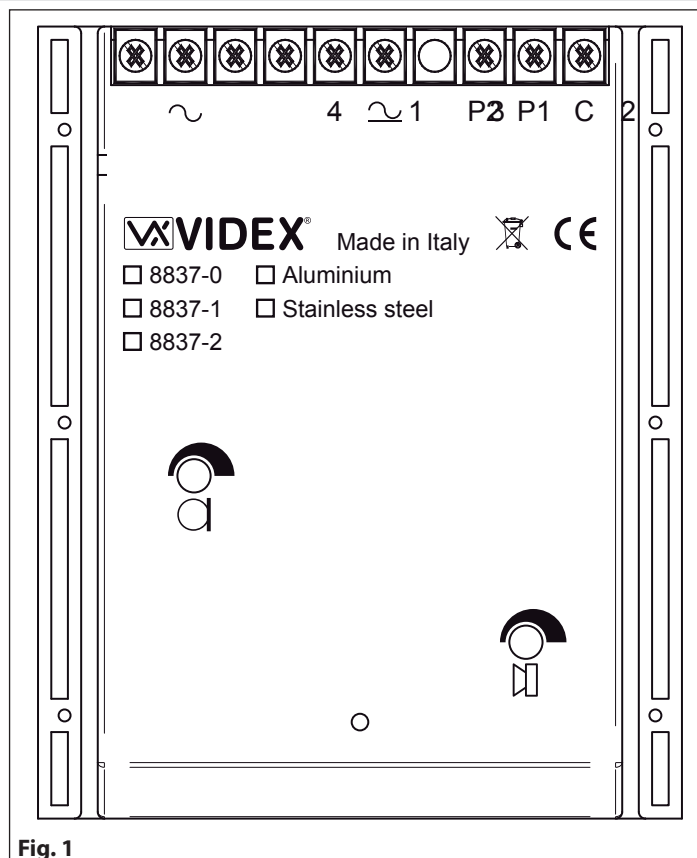
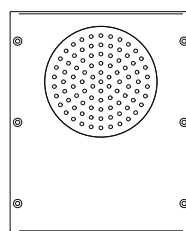
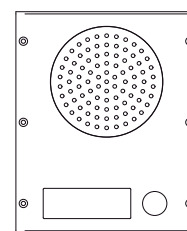


Fig. 1

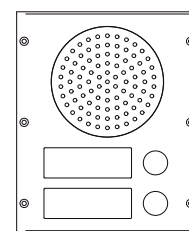
TERMINALS AND TRIMMERS	
2	Speech output
~	13Vac power input for the LEDs
3	+8Vdc power input
1	Speech input
4	Speech ground
~	Ground (0V) for 13Vac
P2	Call button user Nr.2
P1	Call button user Nr.1
C	Push buttons common
⊗	Microphone volume trimmer
⊞	Loudspeaker volume trimmer



Art. 8837-0



Art. 8837-1



Art. 8837-2

COSTUMER SUPPORT

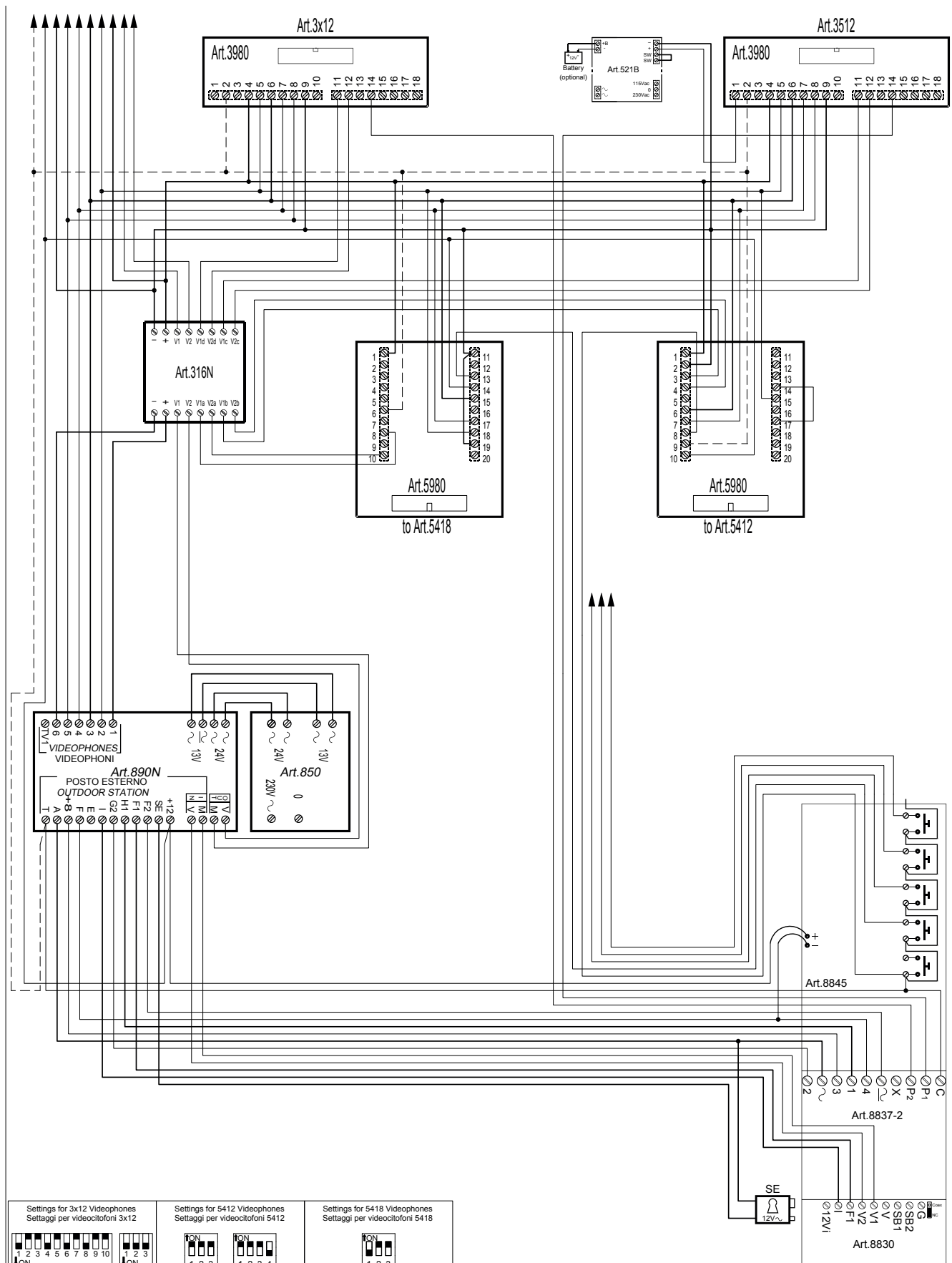


All Countries:
VIDEX ELECTRONICS S.P.A.
www.videx.it - technical@videx.it
 Tel: +39 0734-631669
 Fax: +39 0734-632475

UK Customers:
VIDEX SECURITY LTD
www.videx-security.com
 Tech Line: 0191 224 3174
 Fax: 0191 224 1559

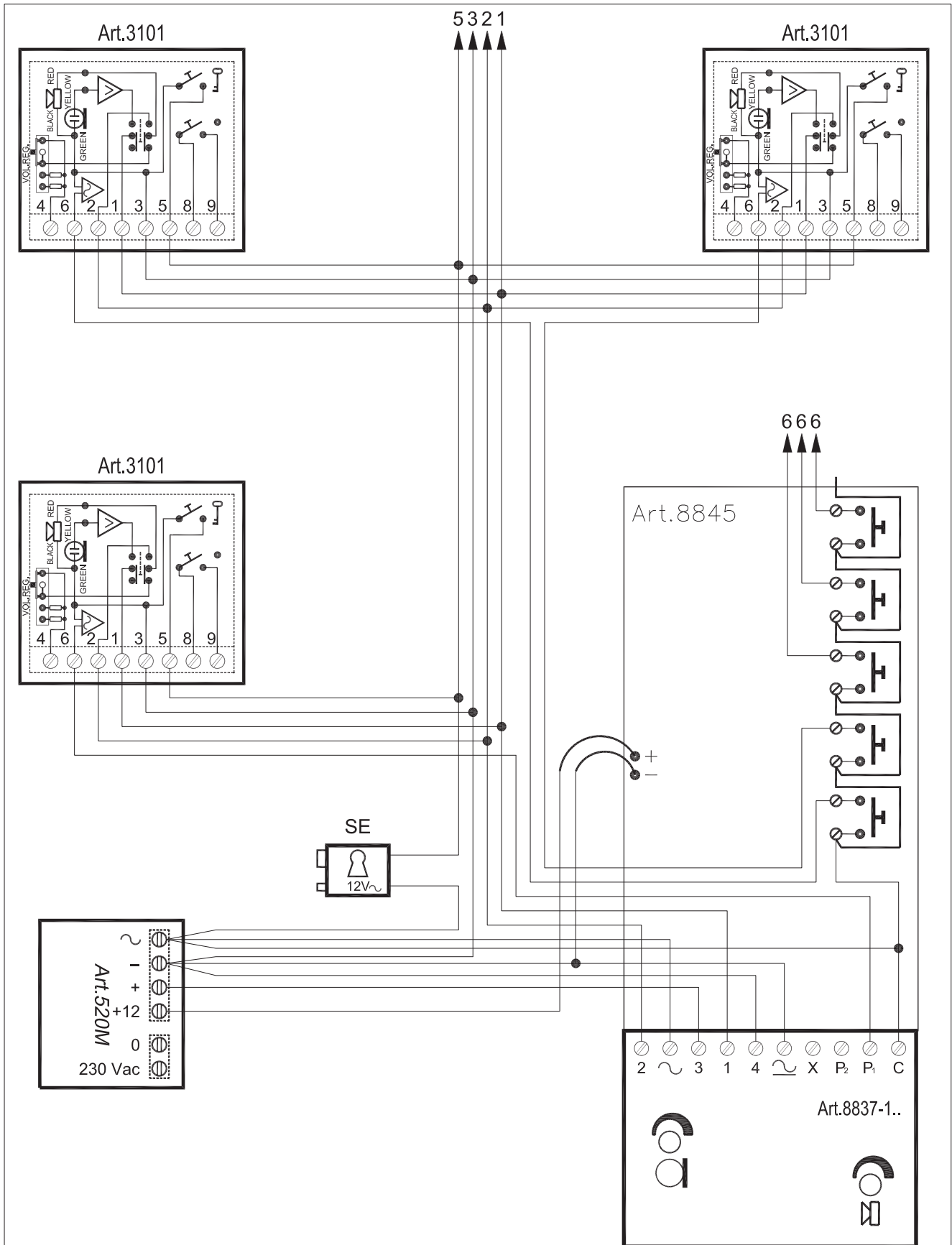


The product is CE marked demonstrating its conformity and is for distribution within all member states of the EU with no restrictions. This product follows the provisions of the European Directives 2004/108/ECC (EMC); 2006/95/ECC (LVD) and 93/68/ECC (CE marking).



<p>Settings for 3x12 Videophones Settaggi per videocitofoni 3x12</p>	<p>Settings for 5412 Videophones Settaggi per videocitofoni 5412</p>	<p>Settings for 5418 Videophones Settaggi per videocitofoni 5418</p>
--	--	--

<p>Title: _____</p> <p>Titolo: _____</p>	<p>Data creazione: 24/02/2010</p> <p>Data modifica: 15/03/2010</p> <p>Autore: Marco Rongoni</p> <p>Cod. File: s8k-001a.dwg</p>	<p>Foglio: 1 / 1</p>
<p>Videx Electronics S.p.A. Via del Lavoro 1, 63020 Monte Giberto (AP) Phone: +39 0734 631669 - Fax +39 0734 631669 www.videx.it - info@videx.it</p>	<p>Notes: _____</p> <p>Note: _____</p>	



Title:		Data creazione:	11/07/2013	Foglio	
Titolo:		Data modifica:	28/07/2014		1 / 1
		Autore:	Marco Rongoni		
		Cod. File:	s8kau4+1-009.dwg		

Videx Electronics S.p.A.
Via del Lavoro 1, 63846 Monte Giberto (FM)
Phone: +39 0734 631669 - Fax +39 0734 631669
www.videx.it - info@videx.it

Notes:
.
Note: